

# CYFAN-C

## ■ USER GUIDE FOR OCCUPANTS



**Your home has been fitted with a Nuaire energy efficient extract fan, in order to create a healthier living environment.**

Washing, cooking, bathing and showering are everyday activities that produce moisture in a home. The humid environment generated by the moisture creates the ideal conditions for condensation and mould to start to form. Cyfan-C is designed to extract that excess moisture from your home and prevent any problems, such as streaming windows, musty air and mould growth.

## ■ USER GUIDE FOR OCCUPANTS

### ■ HOW DOES IT WORK?

---

- The Cyfan-C extract fan is fitted into kitchens, bathrooms and utility areas of your home and extracts air from these locations.
- When installing your fan, your housing provider would have set your fan to work in the best way for your property, in order to make sure it is adequately ventilated.
- There will be occasions however when the humidity/moisture levels in your home will increase from above normal, usually from cooking, bathing or showering. During those times, the fan has a functionality to increase its capacity to remove the excess moisture. This functionality is called boost.

We recommend that during times of cooking, showering or bathing that you ensure your fan is set to boost.

There are a number of ways this can be done, and how your fan will work to boost, depends on the settings your housing provider has set when they installed the fan.

If your fan is fitted with a pull cord, this maybe used as and when required to boost your fan.

You may notice that when you switch your light switch on, your fan will boost. This is normal and once the light is switched off the fan will drop back down to normal operation.

When extra moisture is produced from bathing or cooking, you may notice an increase in the fan speed. This operation is automatic and your fan will return to normal operation once the moisture decreases.

**Important please note that your boost system may have been set to have a run on timer, which will result in the boost function running for a little while longer after the boost function has been switched off. This is to make sure the excess moisture is totally cleared.**

## ■ USER GUIDE FOR OCCUPANTS

### ■ WHY DO I NEED A CYFAN-C FAN IN MY HOME AND HOW WILL IT BENEFIT ME?

---



- Condensation dampness is more common than you may think, particularly in older homes that are poorly ventilated. Excess moisture is produced by every day activities such as bathing, cooking, washing and drying your clothes inside.
- Condensed water provides the ideal conditions for mould spores already in the air to germinate and grow, damaging your walls, furniture and clothes and contributing to health problems.
- Having the unit in your home prevents condensation by keeping moisture levels low and when used correctly, it will protect your home from mould/damp.
- The unit will improve your indoor air quality and create a healthier living environment.

## ■ USER GUIDE FOR OCCUPANTS

### ■ HOW DO I OPERATE THE UNIT?

---

**At installation your fan will be set to work in a way that will appropriately ventilate your home. How this has been set will have been decided by your housing provider.**

**Unless your fan is set to be manually boosted by a pull cord or light switch (as described in page 2), there is no operation required.**

### ■ WHAT MAINTENANCE IS REQUIRED?

---

■ In terms of maintenance the fan requires very little attention as its a filterless fan.

The fan has been designed for ease of cleaning and requires the following simple steps to be undertaken:

- Clip off the front cover and remove the grille.
- As you remove the grille a magnet will deactivate the fan for safety.
- Remove the impeller and clean in warm soapy water.
- Replace the impeller (note it will only fit one way to ensure correct balancing), grille and front cover and the fan will start working again.

### ■ HOW MUCH DOES THE CYFAN-C EXTRACT FAN COST TO RUN?

---

■ Thanks to our energy saving technology, the Cyfan-C costs very little to run. If you have a

fan in both your kitchen and bathroom, it will cost less than £6 per year.

### ■ WILL THE FAN BE NOISY?

---

■ Cyfan-C has been designed especially for the Social Housing Market and when designing we made sure we took into consideration, tenants concerns regarding noise. As a result the fan is silent running so that noise is not an issue.

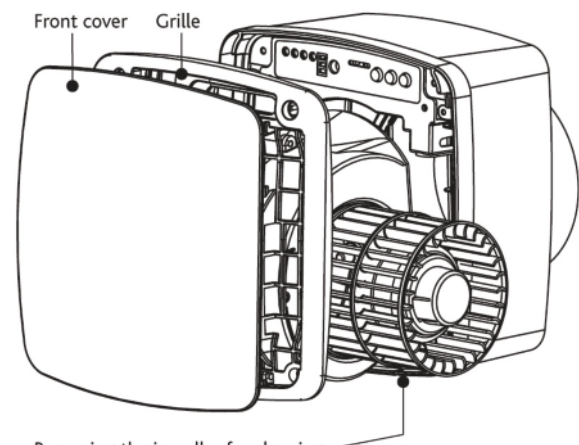
### ■ IF I NEED SOME ADVICE, WHO DO I CONTACT?

---

**In the first instance please contact your housing provider.**

Nuaire have a team of technical experts on hand to help. Our operating hours are 9am to 5pm Monday to Friday (excluding Bank Holiday`s) contact us on 029 2085 8400 (option 2).

When calling Nuaire if possible please check your fan for the serial number located on the fan label.



Removing the impeller for cleaning.  
Note: The impeller only fits on one way to ensure correct balancing.