

AXUS CONTRA ROTATING AXIAL FANS

HIGH PRESSURE ALTERNATIVE TO SINGLE STAGE AXIAL FANS.



BENEFITS

HIGH PERFORMANCE

Developed to provide optimum performance for each case size.

13 Case diameters 315 - 1250mm.

Airflow - up to 42m³/s.

Static pressure - up to 2500 Pa.

Operating temperature, 300°C for 2 hours,

400°C for 2 hours.

HIGH TEMPERATURE

Units are suitable for smoke reservoir and non smoke reservoir applications - EN 12101-3 2002.

Units are dual purpose for day to day plus 'one off' emergency use.

TESTED TO THE HIGHEST STANDARDS

Air performance to BS848 (part 1) 2007 and ISO5801 (Part 1) 2007.

ACOUSTIC PERFORMANCE

AMCA300.

FLEXIBLE SOLUTION

Units can be installed at any angle.

MATCHING ATTENUATORS & ANCILLARIES

AV mounts, flexible connectors, mounting Brackets, Matching Flanges, Inlet Cones, Guard, backdraught damper.

AVAILABLE OPTIONS

AXUS units suitable for two speed operation (full and half speed). AXUS units available with access doors suitable for cleaning and observation.

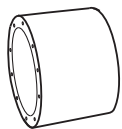
WARRANTY

Axus Contra-Rotating have a 3 year warranty.

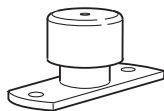
Units suitable for continuous operation at temperatures up to 60°C and a 1 off operation in smoke mode.

For larger sizes contact Nuair.

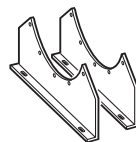
MATCHING ANCILLARIES



Attenuators - Standard and Long options available.



Anti Vibration Mounts



Mounting Brackets.



Flexible Connectors.



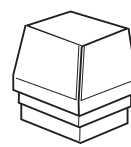
Matching Flanges.



Inlet Cones.



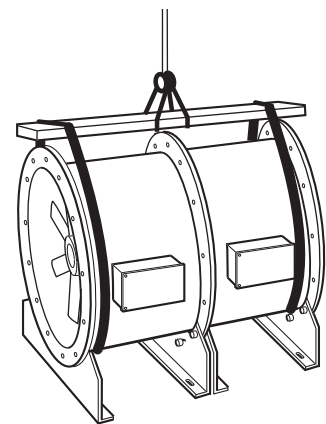
Anti-backdraft Damper.



Arc Cowl.

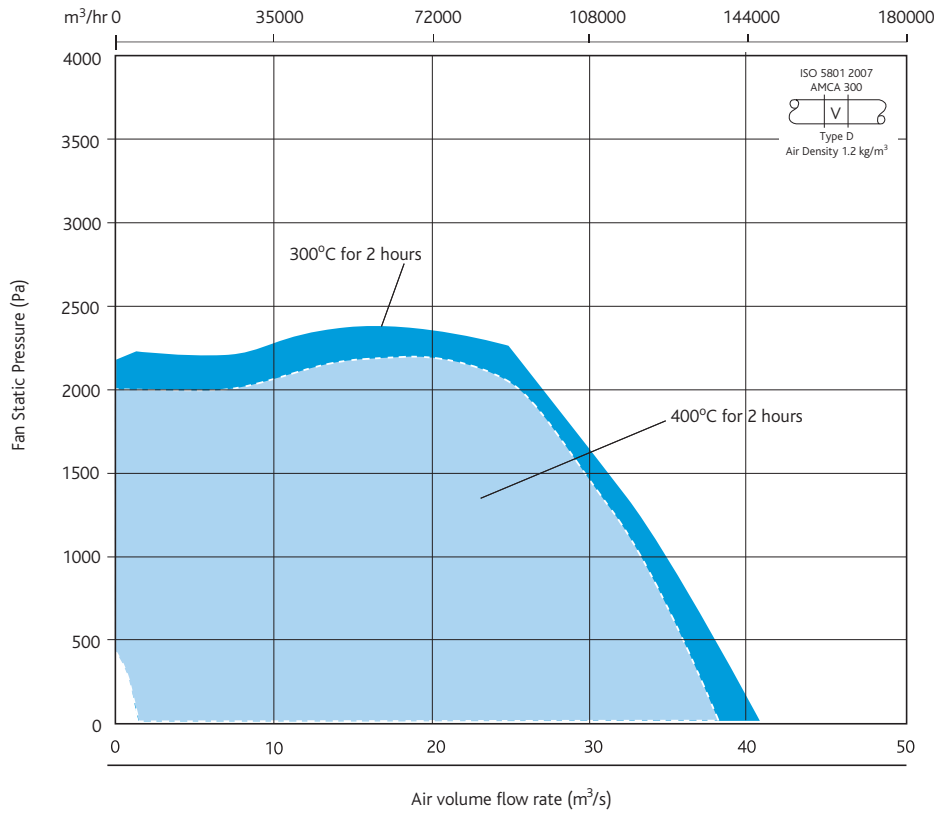
See page 360 for further details on ancillaries.

LIFTING METHOD

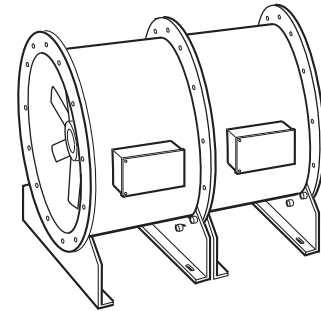


See installation & maintenance documents for full details.

PERFORMANCE - AXUS HIGH TEMPERATURE CONTRA ROTATING FANS



Casing



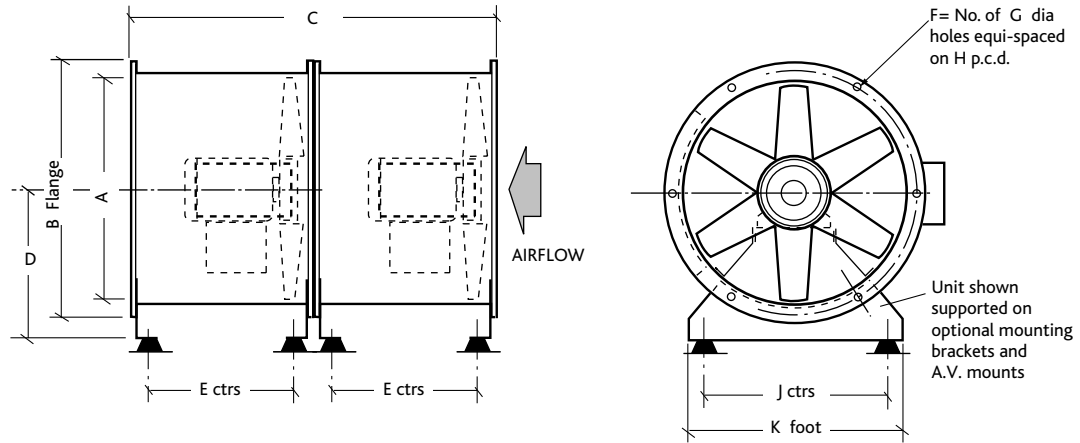
Code descriptions

AXC 100 AA - 4 1 3 A 7 T

1	2	3	4	5	6	7	8	9

1. Axus Contra-rotating axial
2. Case diameter in cm
3. Impeller specification reference
4. Motor speed in poles
5. Impeller blade angle reference
6. Electrical supply in phase
3 = 400V, 50Hz three phase
7. Impeller material
A = Aluminium
S = Steel
8. Operating Temperature
7 = 300°C for 2 hours
8 = 400°C for 2 hours
9. Other options (combinations possible)
T = Two speed (full and half)
Z = Access Door

DIMENSIONS - AXUS HIGH TEMPERATURE CONTRA ROTATING FANS



DIMENSIONS (mm)

Code	Frame	A	B	C	D	E	F	G	H	J	K
AXC31	63-71	315	400	730	210	620	8	12	355	220	270
AXC35	63-90	350	430	760	240	620	8	12	395	250	300
AXC40	63-100	400	490	880	270	810	8	12	450	290	340
AXC45	63-112	450	540	900	300	800	8	12	500	330	380
AXC50	63-112	500	608	930	340	800	12	12	560	380	430
AXC50	132	500	608	1230	340	1120	12	12	560	380	430
AXC56	71-100	560	670	880	370	800	12	12	620	420	470
AXC56	132	560	670	1230	370	1120	12	12	620	420	470
AXC63	63-112	630	740	960	430	800	12	12	690	500	550
AXC63	132-180	630	740	1200	430	1120	12	12	690	500	550
AXC71	80-112	710	814	910	470	800	16	12	770	540	600
AXC71	132	710	814	1400	470	1320	16	12	770	540	600
AXC80	80-112	800	910	880	540	800	16	12	860	590	650
AXC80	132-160	800	910	1680	540	1320	16	12	860	590	650
AXC90	90-180	900	1016	1480	600	1400	16	15	970	670	750
AXC100	90-180	1000	1128	1480	670	1370	16	15	1070	770	850
AXC100	200	1000	1128	1700	670	1590	16	15	1070	770	850
AXC112	100-160	1120	1240	1460	750	1350	20	15	1190	870	950
AXC112	180-200	1120	1240	1730	750	1620	20	15	1190	870	950
AXC112	225-250	1120	1240	2020	750	1910	20	15	1190	870	950
AXC125	100-200	1250	1365	1730	830	1620	20	15	1320	920	1000
AXC125	225-280	1250	1365	2020	830	1910	20	15	1320	920	1000

For unit weights and pressure drops above 2500 pascals, please call our technical team on 029 2085 8200.