



MRXBOX-DB2

MRXBOX-DB3

Distribution Box for Mechanical Ventilation Units with Heat Recovery

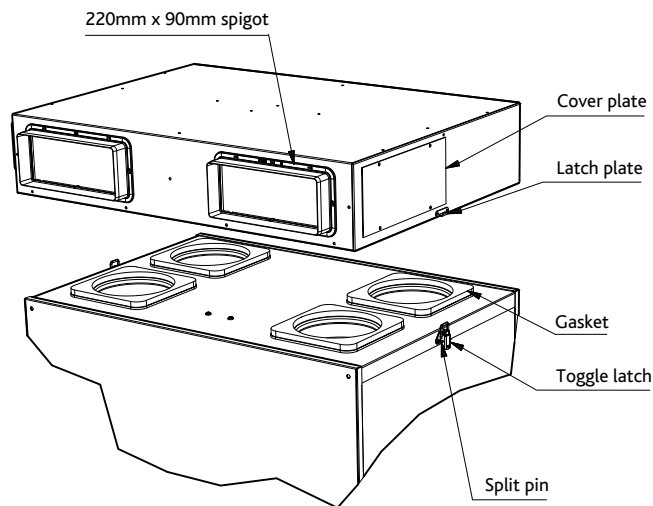
Installation and Maintenance



1.0 INTRODUCTION

Nuaire's Distribution Boxes are designed to be used in conjunction with Nuaire's 1Z and AE acoustically enclosed wall mounted MVHR units, the product offers improved sound levels and ducting configurations.

Figure 1. Indicative unit drawing.



2.0 DUCTING

The metal knock outs and foam lining should be removed from any positions that are to be ducted; the 220mm x 90mm spigots supplied can then be fitted to these locations using the self-tapping fixings also supplied. If no spigot is to be fitted the knock out and foam should be left in place and the area blanked off using the cover plates and self-tapping screws supplied (fig. 1).

Note: A bead of silicone must be applied to the perimeter of all spigots and cover plates fitted to prevent leakage.

3.0 INTRODUCTION

This section covers how to connect the Distribution Box to the acoustically enclosed MVHR unit purchased separately, please refer to the documentation supplied with the MVHR unit for specific installation instructions covering the complete assembly.

The Distribution Box can be fitted with the side connection points towards the front or rear of the assembly depending on the duct requirements.

The four adhesive backed gaskets supplied should be affixed to the plastic clamping plates situated on the top panel of the acoustic enclosure, then fix the two toggle latches provided to the sides of the enclosure top panel using the fixings that have been used to blank off the holes.

The Distribution Box can then be placed on top of the enclosure and clamped in place by fastening the toggle latch to the latch plate, to prevent accidental un-clamping the split pins provided should be fitted to each toggle clamp once in place.

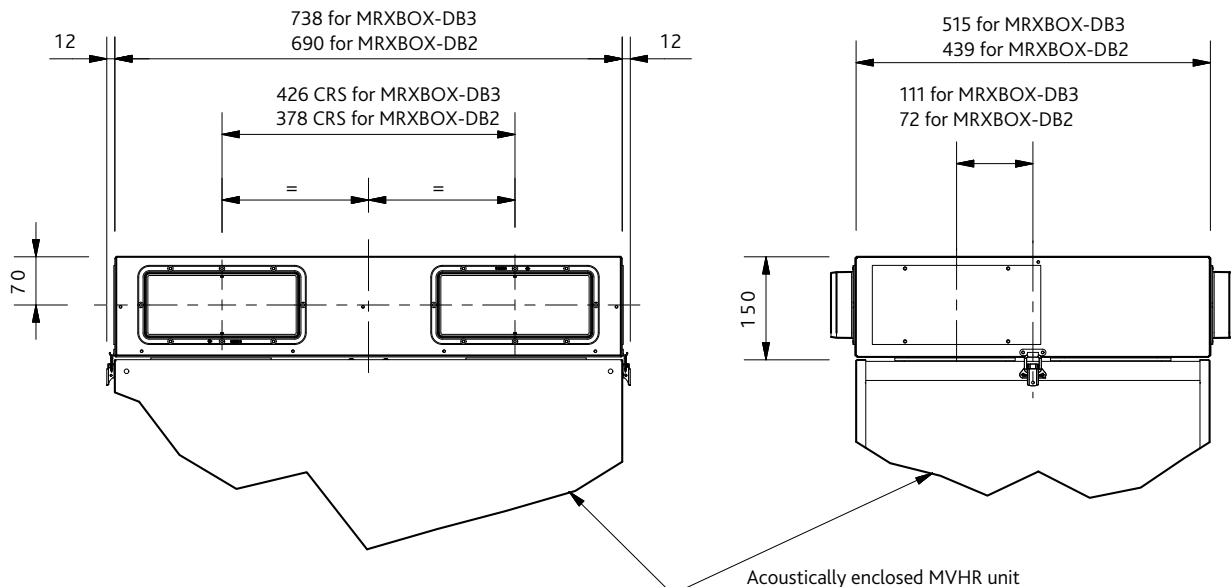
Note: After installation is completed access to the toggle latches clamping the Distribution Box in place should be accommodated to allow for disassembly if required at a later date.

If the distribution box is to be used with an AE product the installation must allow for the front cover of the enclosure to be easily removed for periodic maintenance to be carried out.

4.0 DIMENSIONS

Dimensions for the MRXBOX-DB2 and MRXBOX-DB3 Distribution Boxes are shown below in Fig.2.

Figure 2. Dimensions.



5.0 REPLACEMENT OF PARTS

Should any component need replacing, Nuaire keep extensive stocks for quick delivery. Ensure that the unit is electrically isolated, before carrying out any work.

Please quote the serial number of the unit and the ARC number of the purchase, when ordering spare parts **(This information will be available on the fan label)**.

6.0 WARRANTY

The 5 year warranty starts from the day of delivery and includes parts and labour for the first year and parts only for the remaining 4 years. This warranty is conditional on planned maintenance being undertaken.

7.0 SERVICE ENQUIRIES

Nuaire can assist you in all aspects of service. Our Technical Support department will be happy to provide any assistance required.

Telephone 02920 858 400
aftersales@nuaire.co.uk