

MRXBOX-AV4

Anti-vibration mounting assembly for MRXBOXAB-ECO4 MVHR units

Installation and Maintenance

1.0 Introduction

Nuaire's MRXBOX-AV4 is designed for use with MRXBOXAB-ECO4 MVHR units. The product offers a method of installation that isolates the unit from the structure of the property and accommodates both wall and floor mounting.

2.0 General Installation

Installation must be carried out by competent personnel in accordance with the appropriate authority and conforming to all statutory governing regulations.

Please note a clear working space is required around the installed MRXBOXAB-ECO4 unit to allow the cover to be removed and provide sufficient access for maintenance such as filter change. Please allow a minimum of 480mm in front of the unit.

The fan must be installed indoors, on a suitable wall away from direct sources of frost, heat, water spray or moisture generation.

For specific installation requirements of the MVHR unit to be installed please refer to the installation and maintenance guide supplied with the unit, the document covers additional items including access requirements, airflow configurations, condensate drainage, electrical connection and maintenance requirements that may influence the location the MRXBOX-AV4 is to be installed.

Note: Care must be taken to ensure the unit is installed true in all three dimensions; failure to do so may result in overflow from the internal condensation drip tray. To allow the anti-vibration mounts to operate effectively no part of the MVHR unit should be in direct contact with the building structure including any boxing in of the duct connections, the only component of the assembly that should be in contact is the mounting bracket.

3.0 Installation Procedure

All items referenced below including relevant fixings are supplied with the MRXBOX-AV4, the exception being the fixings to secure the wall brackets and the frame/plinth for floor mounting as these are specific for the individual installation.

Fit 4x Anti-vibration (AV) mounts to the base of the MVHR using 8x M8 screws pre-fitted in the base panel.

(If AV mounts are not required skip the above step and move straight to the final section of 3.2 Wall Mounting to see how the MVHR unit can be secured direct to the angle brackets).

Note: If any Ecosmart products are to be used the connection to the MVHR unit should be made at this point as this is situated on the rear panel and access may be restricted when in place.

3.1 Floor Mounting

If floor mounting, the assembly is now complete and can be secured to the desired frame/plinth (not provided) using the 4x M10 screws with a plain and serrated washer for each of the threaded AV mounts (see fig. 1 and 2).

Figure 1. Unit with AV's sitting on plinth.

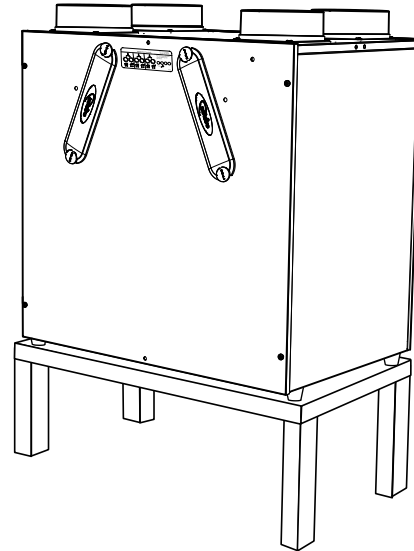
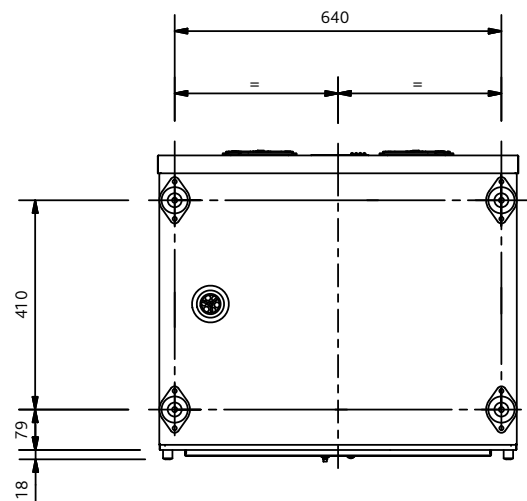


Figure 2. Dimensions of ECO4 MVHR unit and support tray assembly.

NOTE: STANDARD HAND CONFIGURATION SHOWN.
CONDENSATE DRAIN ON OPPOSITE SIDE FOR -OH PRODUCT.



3.2 Wall Mounting

The unit is designed for wall mounting on a solid wall only, a gypsum block/plasterboard wall will not suffice.

If it is not practical to use a solid wall, the unit should be fixed to a stud partition with a 25mm minimum thickness MDF panel solidly fixed behind the plasterboard. If fixing to a stud wall the MDF panel should extend, width wise, over a minimum of 3 vertical studs with centres of no more than 400mm. A vertical stud should be located to correspond with the position each mounting bracket is to be fixed to provide additional support. Add additional vertical supports if necessary. Height wise, the MDF panel should extend from floor to ceiling.

Fit the two angle brackets (fig. 2 and fig. 3) to solid mounting structure (fixings not supplied) and secure cross brace using M5 screws.

Installation and Maintenance Anti-vibration mounting assembly for MRXBOX-ECO4

Figure 3. Mounting bracket fixing points.

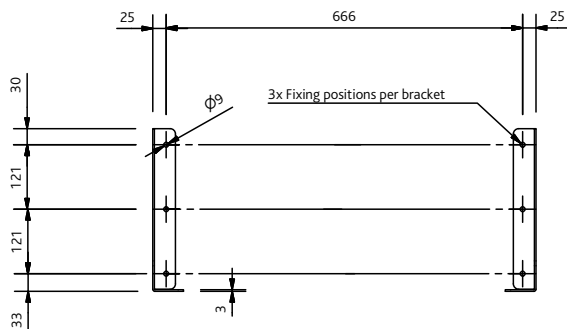
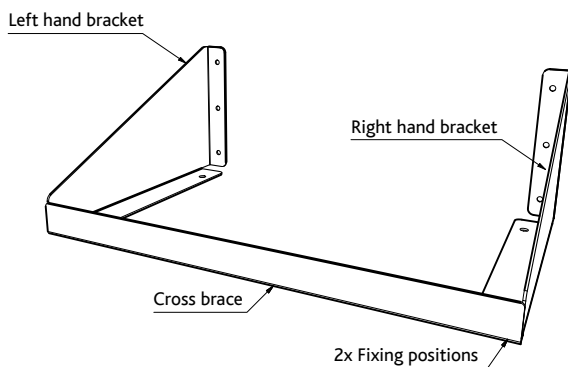
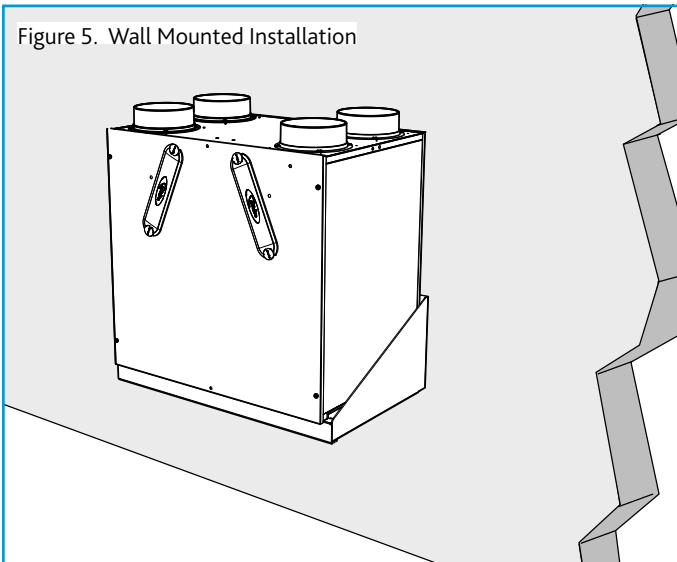


Figure 4. Mounting bracket.



The unit and AV mounts sub-assembly can then be placed on the wall brackets and secured in place using the 4x M10 screws with plain and serrated washers supplied for each of the threaded AV mounts (see fig 5).

Figure 5. Wall Mounted Installation

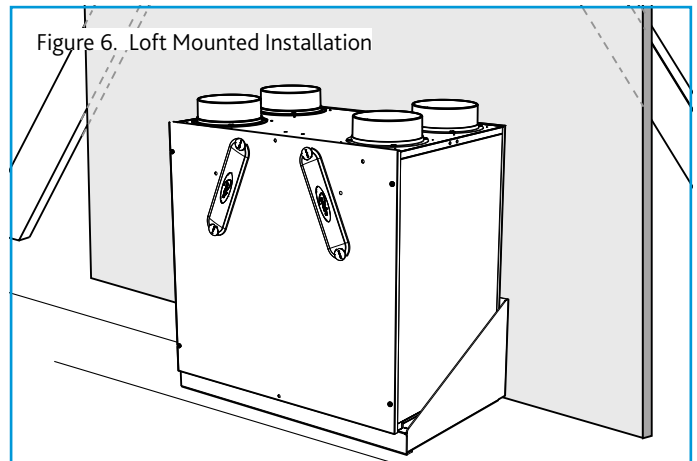


Note: If the AV mounts are not required fit the angle brackets as detailed above but omit the cross brace from the assembly, the MVHR unit can be fitted directly to the wall brackets using the 8x M8 screws pre-fitted in the base panel.

3.3 Loft Mounting

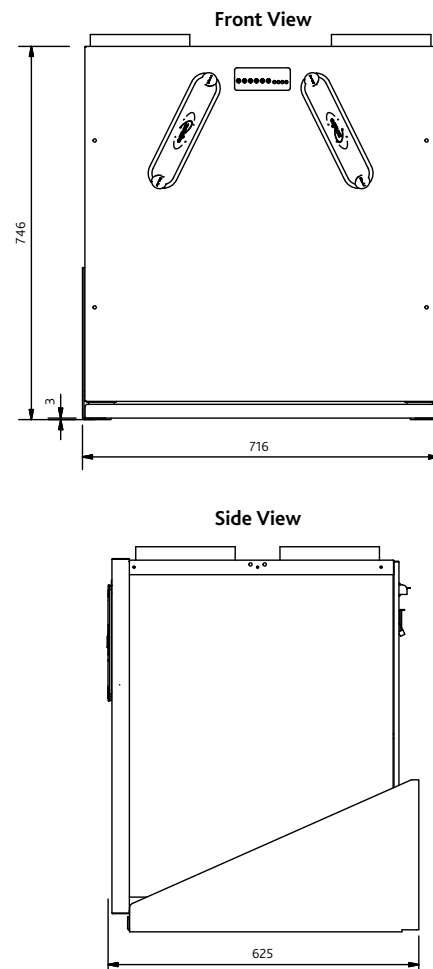
If mounting the unit in a loft space either the floor mounting method can be utilised or a false wall may need to be created if no solid structure is available to allow installation as per the wall mounting method. The false wall should be a MDF panel with a minimum thickness 25mm that is vertically fixed across the roof trusses to form a solid structure, additional vertical supports may also be necessary (see fig. 6).

Figure 6. Loft Mounted Installation



4.0 Dimensions

Figure 7. Unit Dimensions



Installation and Maintenance Anti-vibration mounting assembly for MRXBOX-ECO4

5.0 Replacement of Parts

Should any component need replacing, Nuaire keep extensive stocks for quick delivery.

When ordering spare parts, quote the serial number of the product and the ARC number of the purchase if possible (**this information is available on the fan label**).

IMPORTANT

Ensure that the unit is electrically isolated, before carrying out any work.

6.0 After Sales

For technical assistance or further product information, including spare parts and replacement components, please contact the After Sales Department.

Telephone 02920 858 400
aftersales@nuaire.co.uk