





## 6.0 Dimensions

Figure 3. dMEVH fan unit.

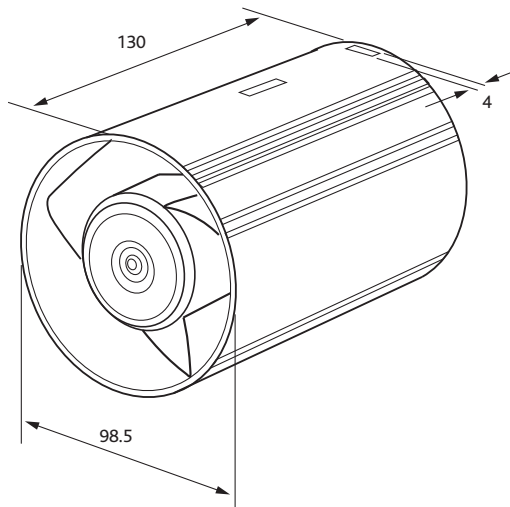


Figure 4. dMEVH fan and room grille.

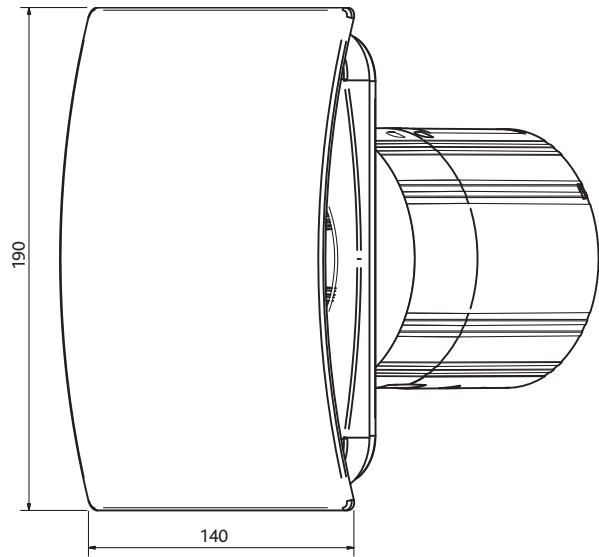


Figure 5. dMEVH fan unit rear section.

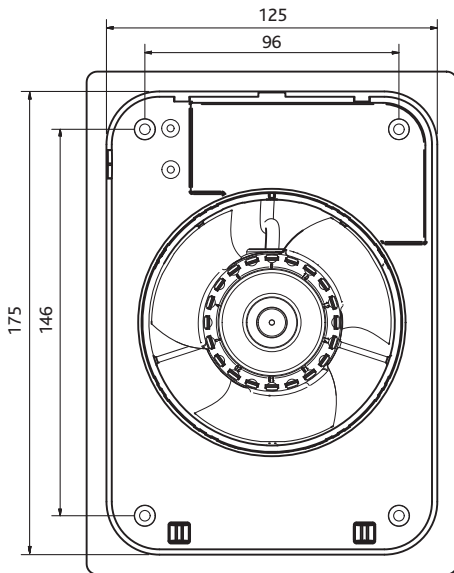
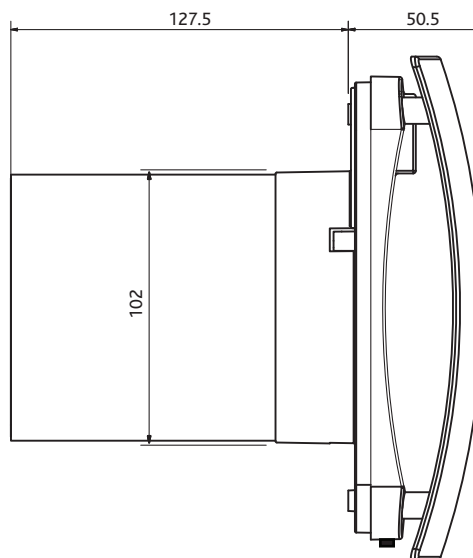


Figure 6. dMEVH fan and room grille side section.



## 7.0 Electrical

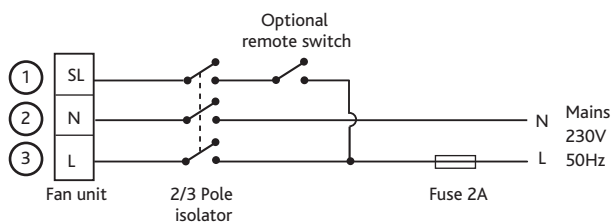
Voltage:	230V
Frequency:	50Hz

NOTE: In the event of voltage transients or other EMC interference on the mains supply the fan may go into boost for 3 seconds or possibly for the run on time period. Operation will be restored to normal after the interference stops. If severe EMC interference causes the fan to go into permanent boost the mains power should be reset to restore functionality. If high levels of RF interference causes the fan to go into boost during the period of RF interference EMC mitigation procedures may be required. Contact Nuair service dept for further support.

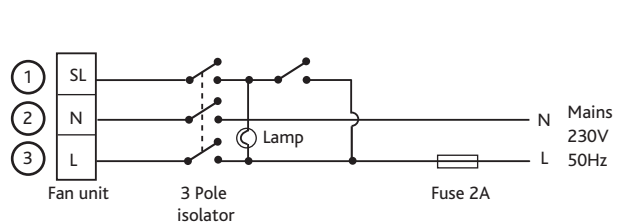
## 8.0 Wiring

Figure 7.

### Unit serving bathroom or kitchen (optional boost)



### Unit serving bathroom (via light switch)



## 9.0 Speed Settings

The dMEVH is pre-set to achieve 4 l/s Continuous and 8 l/s on boost. This can however be changed to 6 l/s Continuous and 13 l/s on boost. To change these speed setting you will need to change the

jumper position within the fan unit (fig. 8). To do this you will need to remove the 2 fixing screws on the motor cap (shown in fig. 2a).

Figure 8.

Unit is fixed speed. Select between either Low or High speed with the jumper position.

i.e. Bathroom installation  
Low speed (Pre-set factory position).

Speed Setting:	Low Continuous	Low Boost	High Continuous	High Boost
Air Flow:	4 l/s	8 l/s	6 l/s	13 l/s

## 10.0 Humidity Set Point

The dMEVH is pre-set to boost when it senses a relative humidity (%RH) of 80% however this can be changed to suit the installation. To do this you will need to access the PCB within the unit.

On the PCB you will need to alter the humidity switch (fig. 9a) configuration to suit the configurations in (fig. 9b).

Figure 9a.

Figure 9b.

ON ADE02	1	2	60% RH
ON ADE02	1	2	70% RH
ON ADE02	1	2	80% RH
ON ADE02	1	2	90% RH

Switch actuator

## 11.0 Maintenance

The fan unit does not require any maintenance. However, for optimum performance, it is advisable to remove any accumulated dust with a low power vacuum cleaner.

**Note: Installation and Maintenance of the equipment must be as directed in the instructions provided with the unit.**

## 12.0 Warranty

The 5 year warranty starts from the day of delivery and includes parts and labour for the first year. The remaining 4 years covers replacement parts only.

This warranty is void if the equipment is modified without authorisation, is incorrectly applied, misused, disassembled, or not installed, commissioned and maintained in accordance with the details contained in this manual and general good practice.

The product warranty applies to the UK mainland and in accordance with Clause 14 of our Conditions of Sale. Customers purchasing from outside of the UK should contact Nuaire International Sales office for further details.

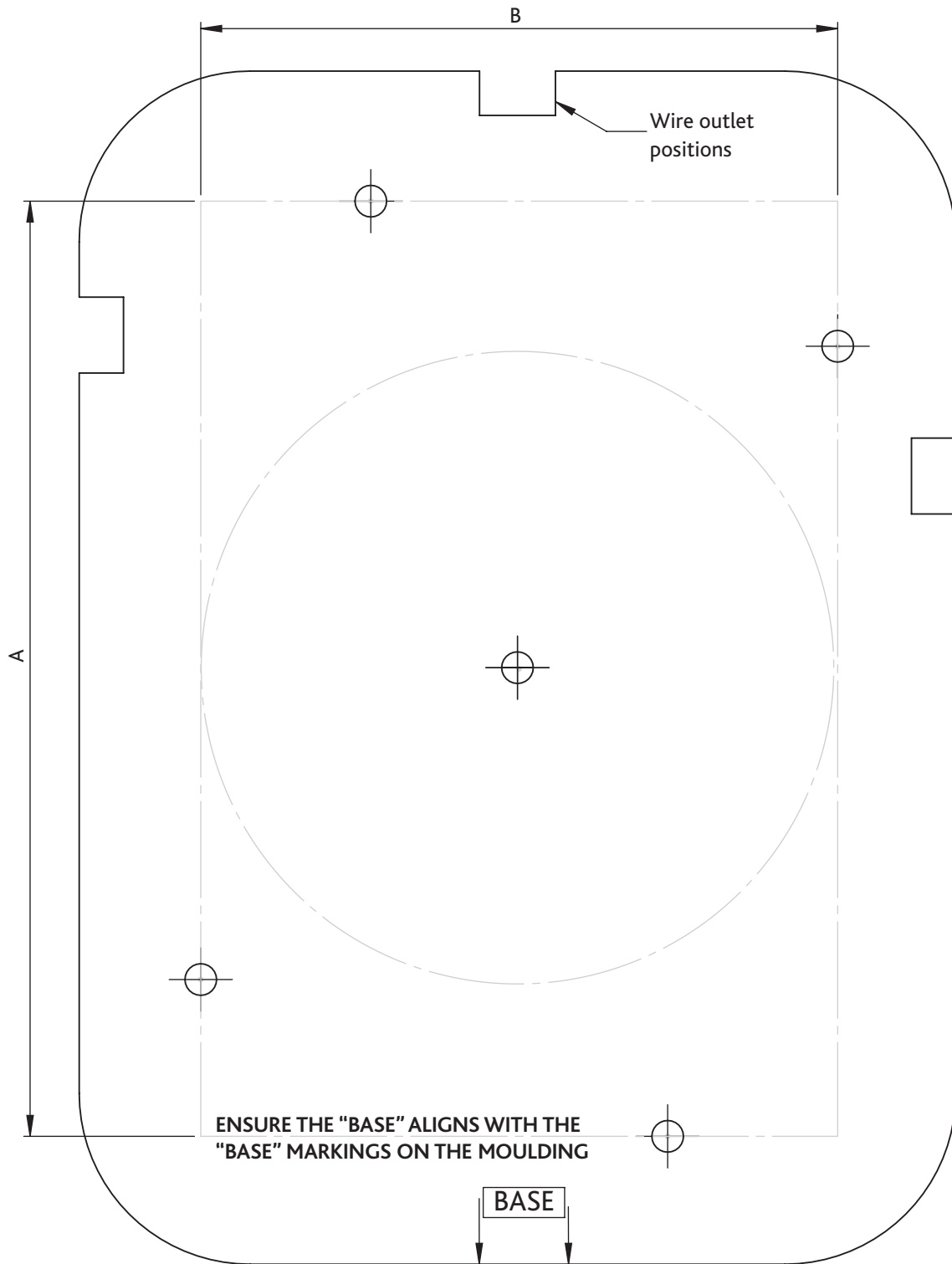
## 13.0 After Sales

For technical assistance or further product information, including spare parts and replacement components, please contact the After Sales Department.

**Telephone 02920 858 400**

Technical or commercial considerations may, from time to time, make it necessary to alter the design, performance and dimensions of equipment and the right is reserved to make such changes without prior notice.

### 14.0 Skirt Spacer Template



Note, if printing document check scale.

A = 147.8mm

B = 100.7mm