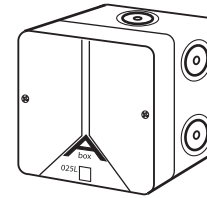


OPUS VF

Volt Free Status Indicator



CE The EMC Directive 2004/108/EC The Low Voltage directive 2006/95/EC



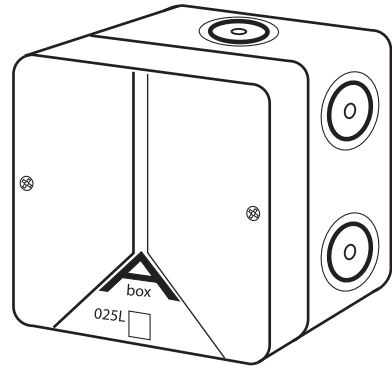
OPUS VF

Volt Free Status Indicator



CE The EMC Directive 2004/108/EC The Low Voltage directive 2006/95/EC

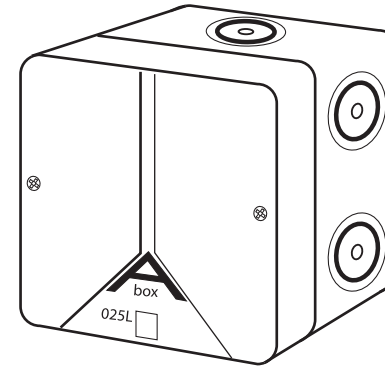
Figure 1.



Wiring Details of Opus VF for use with Opus 30/60 range of fan units

The electrical diagram below illustrates the wiring and connection detail for remote status indication via Volt Free terminals.

Figure 1.



Wiring Details of Opus VF for use with Opus 30/60 range of fan units

The electrical diagram below illustrates the wiring and connection detail for remote status indication via Volt Free terminals.

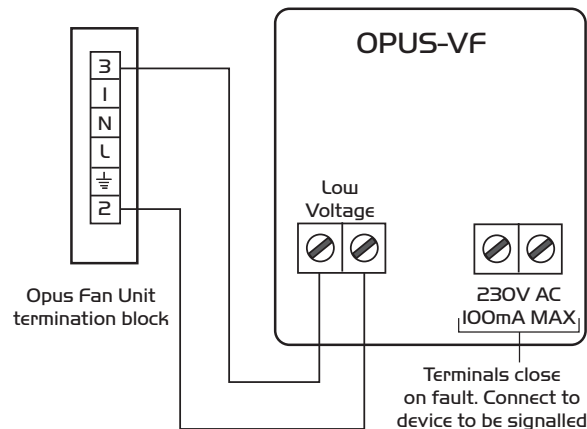
Installation

Installation must be completed by competent personal in accordance with current legislation and good custom and practice.

Remove the box lid and lift out the printed circuit board. Prepare a solid non reverberant surface, offer the box base to the desired mounting position mark, drill and fix using appropriate fixings.

Knock out the preferred cable entries, offer the wires from the OPUS fan and the device to be signalled i.e. Neon indicator, BMS etc.

Figure 2. Connection diagram.



Installation

Installation must be completed by competent personal in accordance with current legislation and good custom and practice.

Remove the box lid and lift out the printed circuit board. Prepare a solid non reverberant surface, offer the box base to the desired mounting position mark, drill and fix using appropriate fixings.

Knock out the preferred cable entries, offer the wires from the OPUS fan and the device to be signalled i.e. Neon indicator, BMS etc.

Figure 2. Connection diagram.

