

NAL-RFI

Remote Fail Indicator

Installation Guide

Introduction

The unit is designed for use with the Nuairé fan range and provides visual fault indication in the event of a fan failure.

Manufactured in moulded plastic to a standard MK switchbox layout.

A pair of terminal connections are provided inside the cover:

Isolation

Before commencing installation work ensure the electrical supply is disconnected.

Electrical information

Voltage: 230V, 1 ph, 50Hz

Installation

The installation must be carried out by qualified personnel in accordance with the appropriate authority and conforming to all statutory and governing regulations eg. IEE, CIBSE, COHSE etc.

Note: the unit must be mounted on a secure, vibration free vertical surface away from direct heat sources or water spray.

Remove the front cover (2 screws). Choose a convenient mounting position. Using the back box as a template mark through the chosen fixing points.

Drill and if necessary plug the mounting surface and fix the backbox with suitable screw fixings (not supplied).

Bring your two wires into the casing and connect to the terminals provided in the cover. Replace the cover.

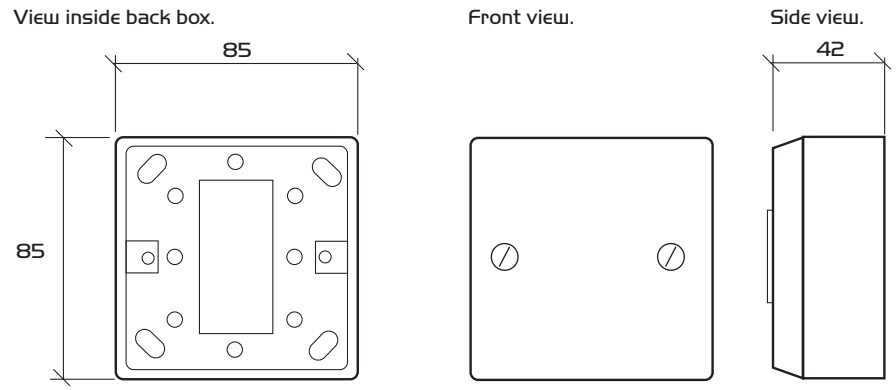
Maintenance

The unit requires no maintenance other than cleaning. Disconnect supply and clean with a damp cloth. Do not spray any cleaning fluids onto the indicator.

After Sales Enquiries

For technical assistance or further product information, including spare parts and replacement components, please contact the After Sales Department.

Figure 1. Dimensions (mm) and fixing details.



Connections inside cover.

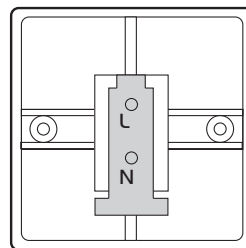
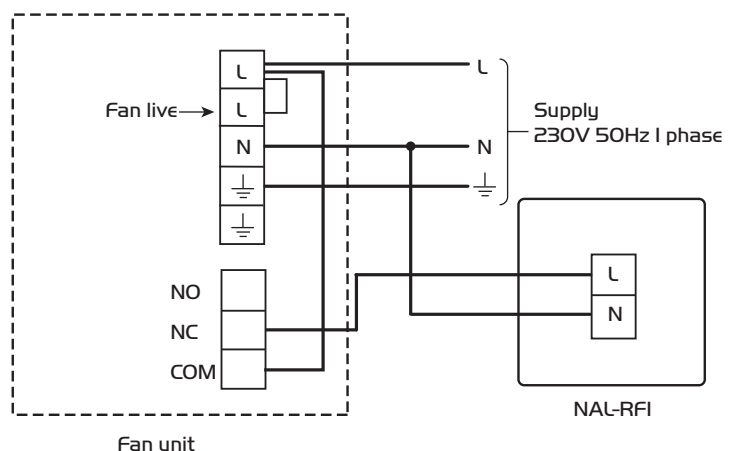


Figure 2. NAL-RFI wiring details (typical Nuairé Teinfan shown).



Telephone 02920 858 400

Technical or commercial considerations may, from time to time, make it necessary to alter the design, performance and dimensions of equipment and the right is reserved to make such changes without prior notice.