

# OPUS + HUMISEN

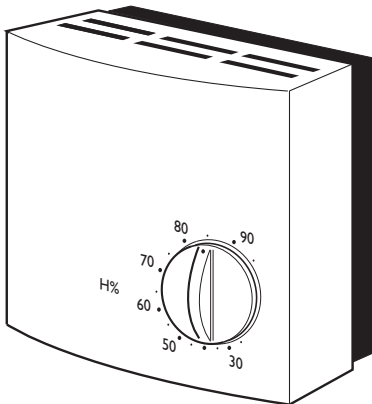
(Nuair Code)



**CE** The EMC Directive  
2014/30/EU  
The Low Voltage  
directive  
2014/35/EU

Addendum Sheet

Figure 1.



## Wiring Details for use with Opus 100/150 fan units

The electrical diagram below illustrates our recommended wiring to allow operation of the fan when the relative humidity exceeds the adjustable set point of the humidistat.

The Humidistat is connected to the fan unit via low voltage (12V) wiring.

Figure 2. Electrical wiring.

