

IAQ-PURGE

High performance purge ventilation

With up to
3 variable speeds



The IAQ-PURGE has been designed to provide purge ventilation for rapid removal of stale odours and poor quality air from the dwelling to create a healthier living environment or to help combat over-heating problems.

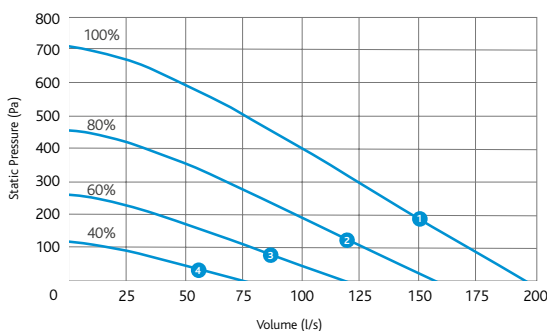
It provides mechanical purge when required, independently or in conjunction with Nuaire's MVHR systems.

Features and benefits

- ▶ Handles duties up to 200l/s
- ▶ The most compact size for duty on the market.
- ▶ High airflow for purge or overheating ventilation rates
- ▶ All serviceable parts are all accessible from underside
- ▶ Thermally lined for use in supply or extract applications
- ▶ Low profile – only 151mm deep
- ▶ 220mm x 90mm for low resistance duct configurations
- ▶ Three independently controllable speeds
- ▶ Integral mounting bracket/plate
- ▶ 5 Year warranty*

*1 year parts and labour, remaining years parts only.

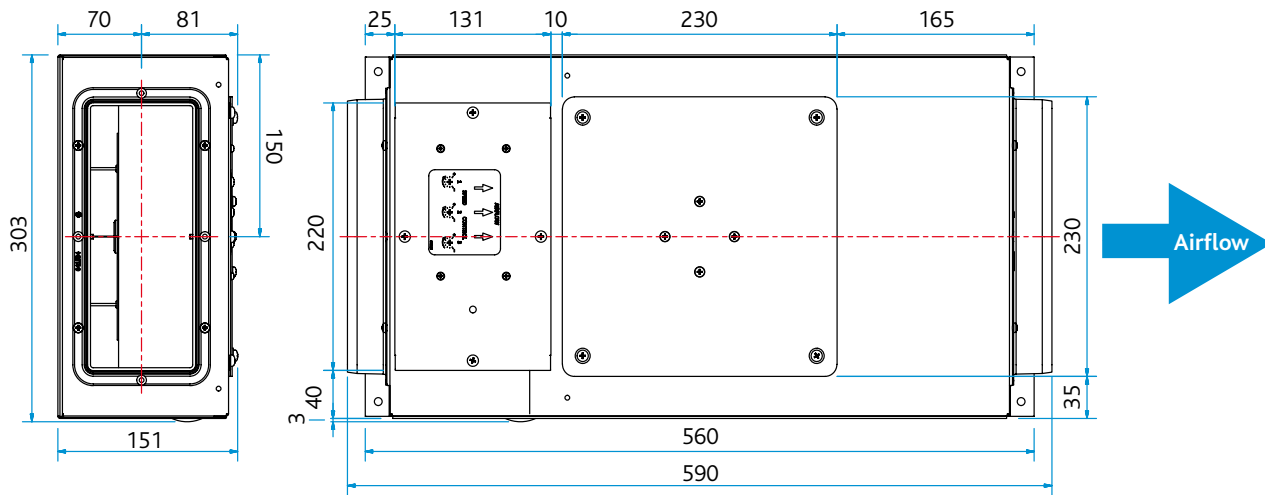
Duty graph



Typical Flow Rates and Resistance

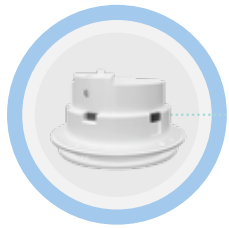
Curve	1	2	3	4
Flow	150 l/s	120 l/s	90 l/s	60 l/s
Resistance	200 Pa	128 l/s	72 l/s	32 Pa
Watts	113	58	24	7
dBA@3M	44	39	33	31

Dimensions (mm) - IAQ-PURGE UNIT



Ancillaries

Q-AIRE-V125 Supply and Extract Valve



Q-AIRE-V125
Supply & Extract Valve

Consultant Specification

- ▶ The unit shall be fully insulated providing thermal characteristics.
- ▶ The motor and controls shall be accessible via the bottom access panels, enabling quick and easy maintenance.
- ▶ The unit shall have three independently variable speed settings.
- ▶ The unit shall have low energy, high efficiency EC fan/motor assembly suitable for an ambient temperature of 50°C the impellers shall be backward curved centrifugal type.
- ▶ The unit shall be suitable for 220mm x 90mm ducting.
- ▶ The breakout noise level and power requirements shall be as detailed by the unit manufacturer and in accordance with the ventilation equipment schedule.
- ▶ The unit shall be offered with a 5 year warranty. 1 year parts and labour, remaining years parts only.

Tel: 029 2085 8500

residential.enquiries@nuaire.co.uk | www.nuaire.co.uk |  Nuaire