

MRXBOX-AV2

Anti-vibration mounting assembly for MRXBOX(AB)-ECO2 MVHR units

Installation and Maintenance

1.0 Introduction

The MRXBOX-AV2 is designed to provide a method of installation that isolates the unit from the structure of the property; the product accommodates both wall and floor mounting.

2.0 Installation

Installation must be carried out by competent personnel in accordance with the appropriate authority and conforming to all statutory governing regulations.

The fan must be installed indoors on a suitable wall away from direct sources of frost, heat and water spray or moisture generation. For a vibration free result the unit must be mounted on a solid wall.

For specific installation requirements of the MVHR unit to be installed please refer to the installation and maintenance guide supplied with the unit, the document covers additional items including access requirements, airflow configurations, condensate drainage, electrical connection and maintenance requirements that may influence the location the MRXBOX-AV2 is to be installed.

Note: Care must be taken to ensure the unit is installed true in all the dimensions, failure to do so may result in overflow from the internal condensation drip tray. To allow the anti-vibration mounts to operate effectively no part of the MVHR unit should be in direct contact with the building structure including any boxing in of the duct connections, the only component of the assembly that should be in contact is the mounting bracket.

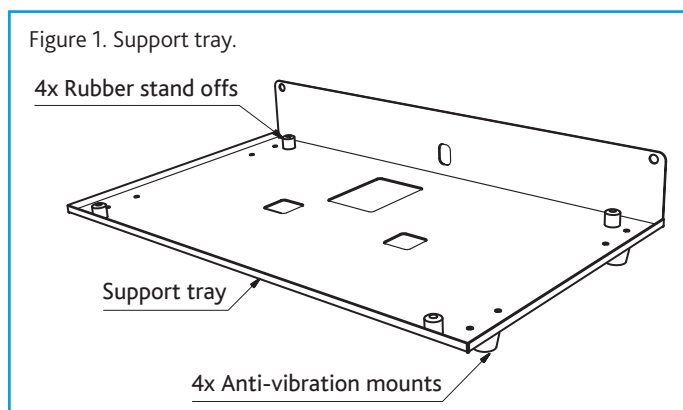
3.0 Installation Procedure

All items referenced below including relevant fixings are supplied with the MRXBOX-AV2, the exception being the fixings to secure the wall brackets and the frame/plinth for floor mounting as these are specific for the individual installation.

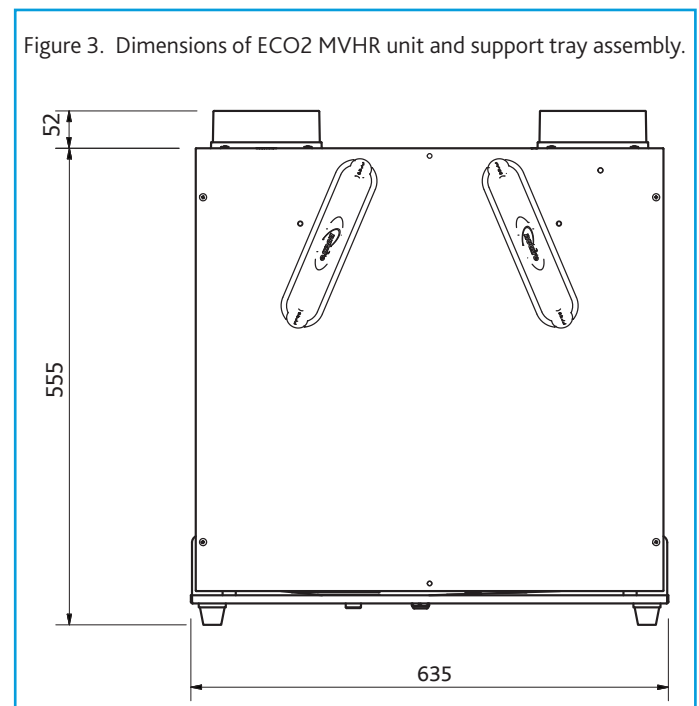
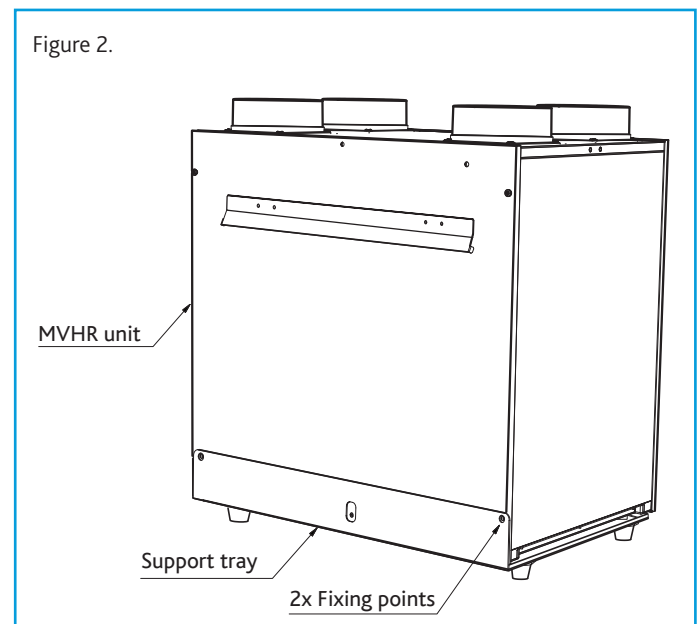
3.1 Support Tray (for floor or wall mounting)

Fix 4x rubber stand offs to the top face of the support tray using four M4 x 20 screws.

Fix 4x Anti-vibration mounts to the underside of the support tray using two M4x 16 screws and washers per anti-vibration mount.



Next take the MVHR unit to be mounted and remove the two rubber stand offs found on the rear panel and place the unit on the support tray, the two fixing points now free can be used to secure the unit to the tray using two M5 screws and large washers.



Please continue to the appropriate section for the next steps of the installation depending on if the unit is to be floor or wall mounted, there is also additional information to assist installation in a loft space.

Installation and Maintenance Anti-vibration mounting assembly for MRXBOX(AB)-ECO2

3.2 Floor Mounting

The assembly is now completed and can be secured to the desired frame/plinth (not provided) using the four M8 bolts or each of the threaded AV mounts (see figs. 4 and 5).

Figure 4.

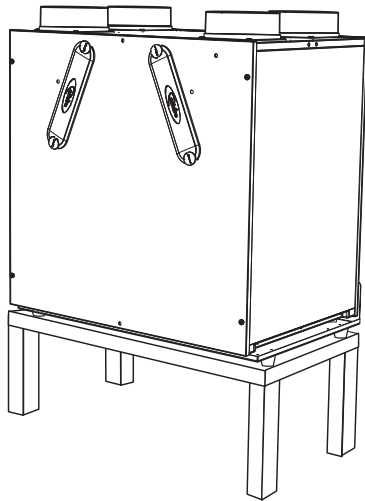
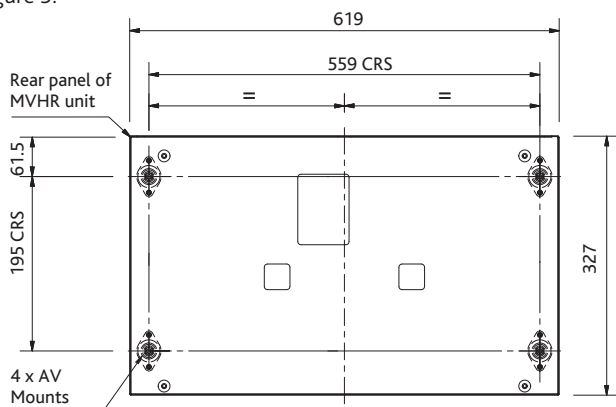


Figure 5.



3.3 Wall Mounting

The unit is designed for mounting on a solid wall, a gypsum block or stud/plasterboard wall will not suffice. If fixing to a stud wall a piece of MDF at least 25mm thick should be solidly fixed behind the board, the MDF panel should ideally run from floor to ceiling but must be a minimum of 2m. The MDF panel should also extend width wise over a minimum of three studs with centres no more than 400mm, additional vertical supports may be required.

Fit the two angle brackets (figs. 5 and 6) to suitable mounting structure (fixings not supplied) and secure cross brace using M5 screws.

Figure 6.

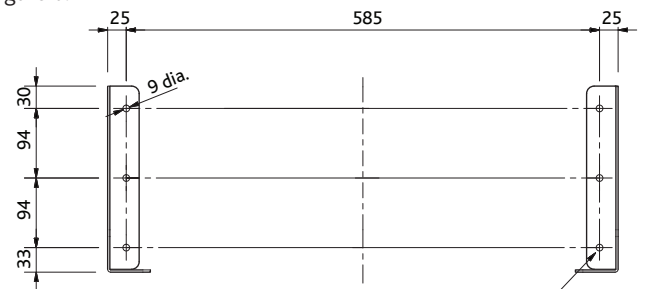
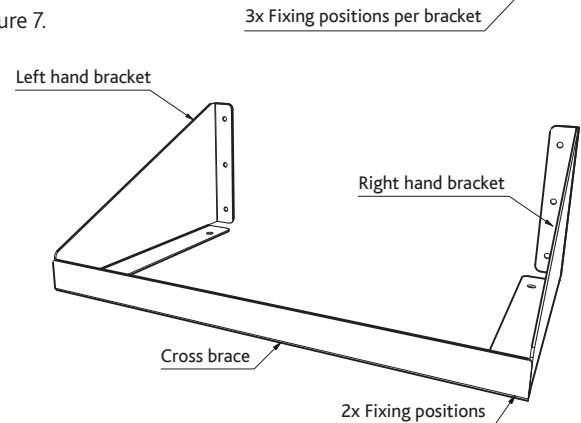
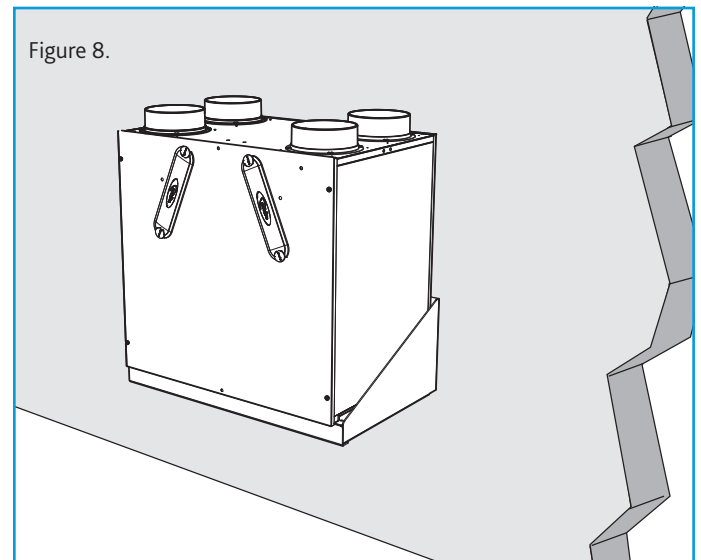


Figure 7.



The unit and support tray sub-assembly (fig. 8) can then be placed on the wall brackets and secured in place using the four M8 bolts for each of the threaded AV mounts.

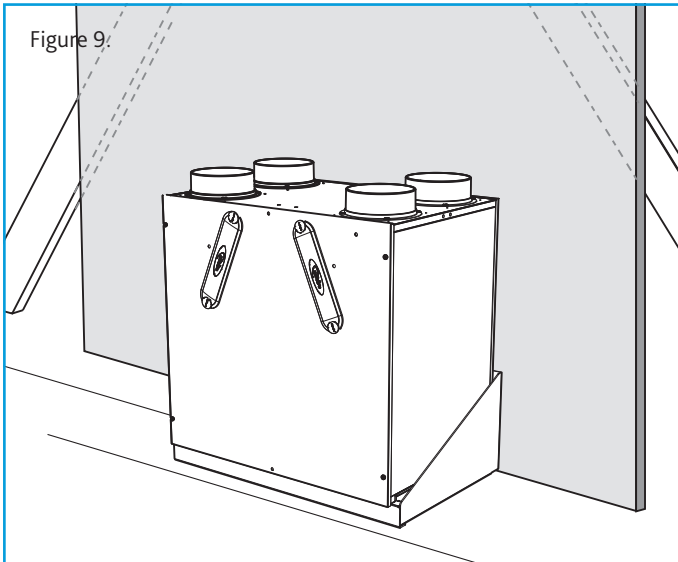
Figure 8.



Installation and Maintenance Anti-vibration mounting assembly for MRXBOX(AB)-ECO2

3.4 Loft Mounting

If mounting the unit in a loft space either the floor mounting method can be utilised or a false wall will need to be created to allow installation as per the wall mounting method. The false wall should be a MDF panel with a minimum thickness 25mm that is vertically fixed across the roof trusses to form a solid structure, additional vertical supports may also be necessary (fig. 9).



4.0 Replacement of Parts

Should any component need replacing, Nuaire keep extensive stocks for quick delivery. When ordering spare parts, quote the serial number of the product and the ARC number of the purchase if possible.

5.0 After Sales

For technical assistance or further product information, including spare parts and replacement components, please contact the After Sales Department.

Telephone 02920 858 400
aftersales@nuaire.co.uk

Technical or commercial considerations may, from time to time, make it necessary to alter the design, performance and dimensions of equipment and the right is reserved to make such changes without prior notice.