

2.3 Installation (cont.)

SIL-WH1 (Silencer)

The below information regarding the angle brackets is only relevant when the installation includes both a SIL-WH1 and FF-WH1, if this is not the case MRXBOX95(AB)-WH1 should be fitted using the standard installation instructions supplied with that product. If only fitting an SIL-WH1 this should then be sat on top of the MVHR unit and clamped in place as detailed later in this section.

The wall mounting brackets and angle brackets should now be fitted (fixings supplied by others) according to the installed position of the plenum and the measurements shown in fig 9.

SIL-WH1 to be hung on the wall using mounting bracket supplied loose in the MRXBOX95(AB)-WH1 packaging, see below.

The MRXBOX95(AB)-WH1 unit can then be sat on the angle brackets, and the cross brace should be fitted using the M5 fixings provided once the MRXBOX95(AB)-WH1 is in position.

Raise the units using the adjustment feet provided until the SIL-WH1 is lifted off its wall mounting bracket, ensuring the two sections are correctly aligned and fasten the toggle clamps on the sides of the units. The safety pins supplied should be fitted to secure the clamps in place. (see fig. 7). Continue to raise the units using the adjustment feet again checking for good alignment to form a seal against the FF-WH1 and ensure installation is level.

When positioning is complete the adjustment feet should be secured in position using the four locking nuts. (see fig. 8).

Please note the above method is the preferred installation arrangement, a minimum gap of 75mm either side of the unit is advised to allow access to the toggle clamps.

If space constraints do not allow this, the toggle clamps can be replaced with the metal fixing plates provided (see fig. 9). The MRXBOX95(AB)-WH1 + SIL-WH1 will need to be secured together and lifted as one assembly using suitable lifting equipment.

Fig 5: Wall mounting bracket.

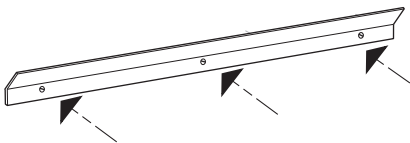


Fig 6: Mounting the unit on the wall mounting bracket.

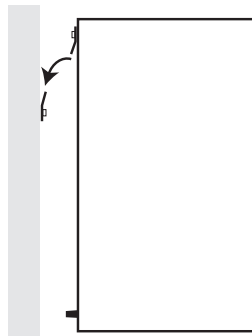


Fig 7: Toggle clamp.

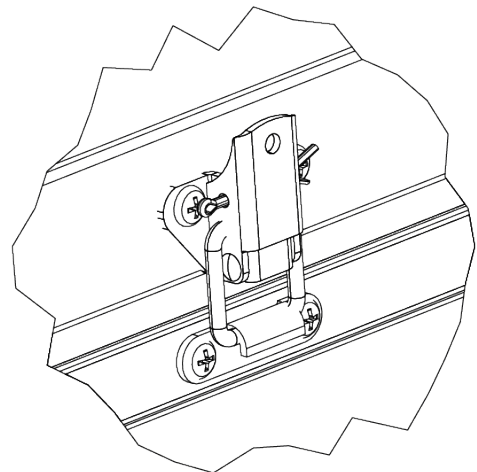


Fig 8: View of locking nut.

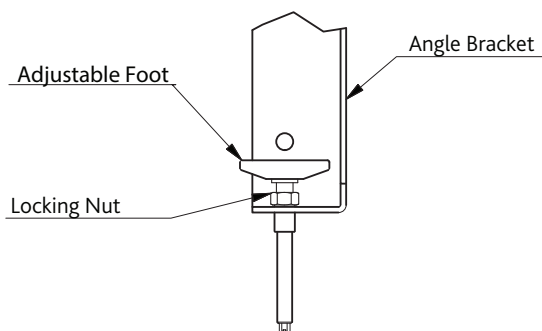
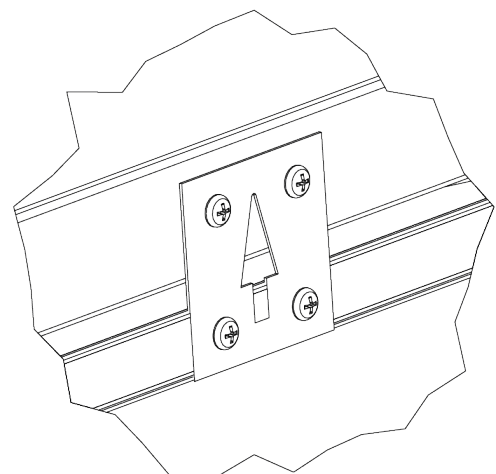


Fig 9: Fixing plate.



3.0 Dimensions

Fig 10: SIL-WH1.

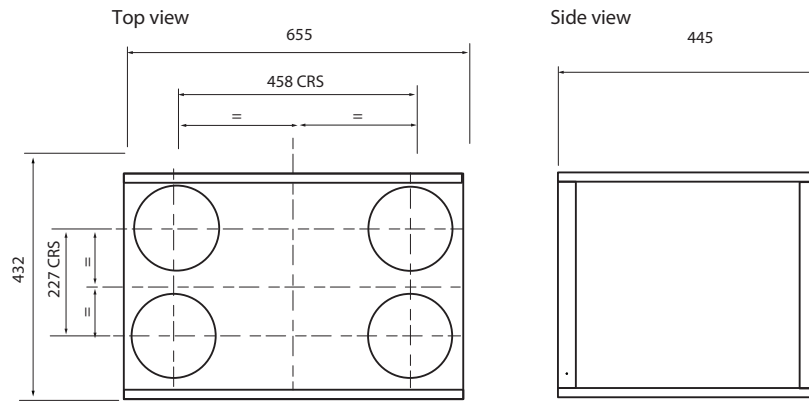


Fig 11: FF-WH1

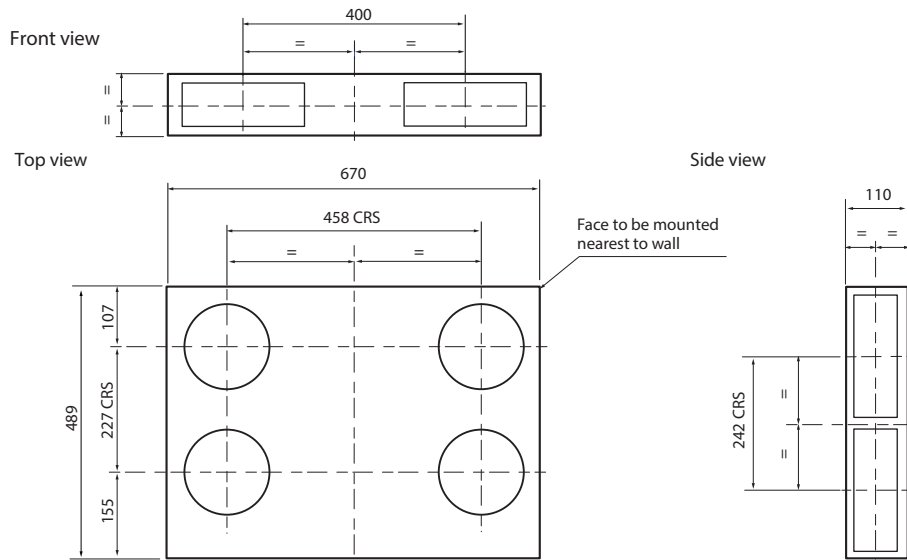
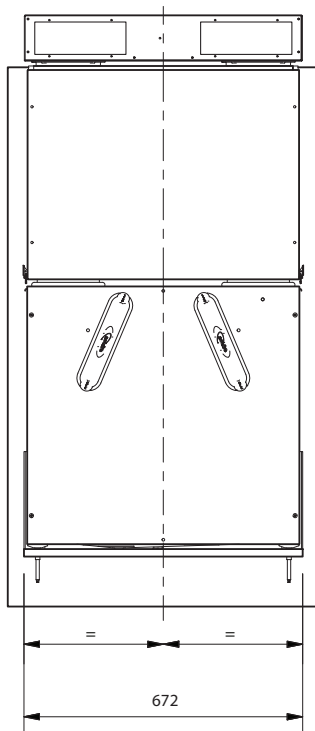


Fig 12: Initial positioning before clamping and sealing.

Front view



Side view

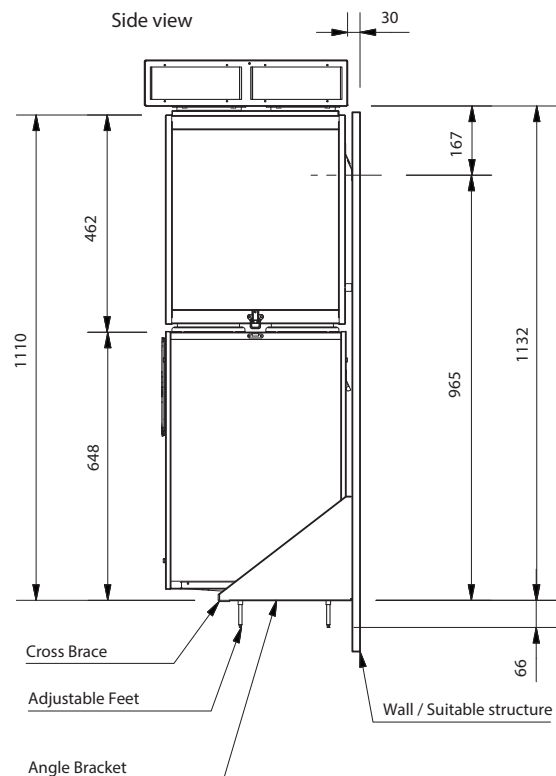
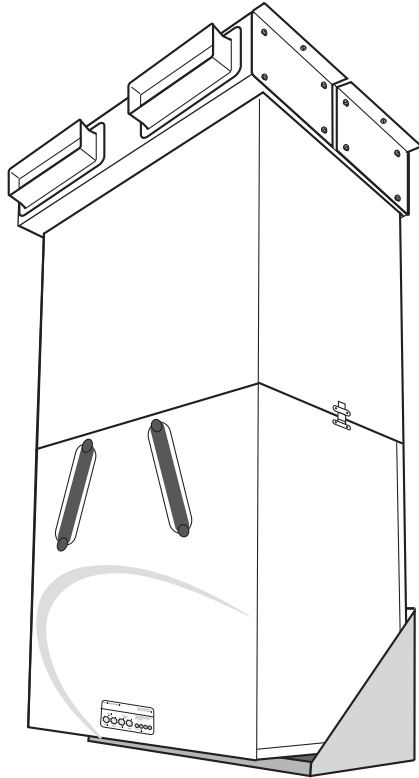


Fig 13: View of completed system.



4.0 Replacement of Parts

Should any component need replacing Nuair keep extensive stocks for quick delivery. Ensure that the unit is electrically isolated, before carrying out any work.

When ordering spare parts, please quote the serial number of the unit and the ARC number of the purchase if possible.

(This information will be available on the fan label).

5.0 Warranty

The 5 year warranty starts from the day of delivery and includes parts and labour for the first year and parts only for the remaining 4 years.

This warranty is void if the equipment is modified without authorisation, is incorrectly applied, misused, disassembled, or not installed, commissioned and maintained in accordance with the details contained in this manual and general good practice.

6.0 After Sales Enquiries

For technical assistance or further product information, including spare parts and replacement components, please contact the After Sales Department.

Telephone 02920 858 400

Technical or commercial considerations may, from time to time, make it necessary to alter the design, performance and dimensions of equipment and the right is reserved to make such changes without prior notice.