

FLATMASTER-HRM

Plug-in 'Hour Run Monitor' for FLATMASTER and FLAT2000L/R Installation and Maintenance



1.0 INTRODUCTION

The Nuaire FLATMASTER and the FLAT2000L/R range of Positive Input Ventilation Units are suitable to incorporate the Nuaire 'HRM'; an optional plug-in hour run monitor. Its successful operation depends entirely upon the unit being installed strictly in accordance with these instructions.

Whilst the installation of the FLATMASTER/FLAT2000L/R units may be achieved by a suitable craftsman, the provision of the electrical supply, the connection of the unit to the mains and the fitting of the 'HRM' must be carried out by a qualified electrician.

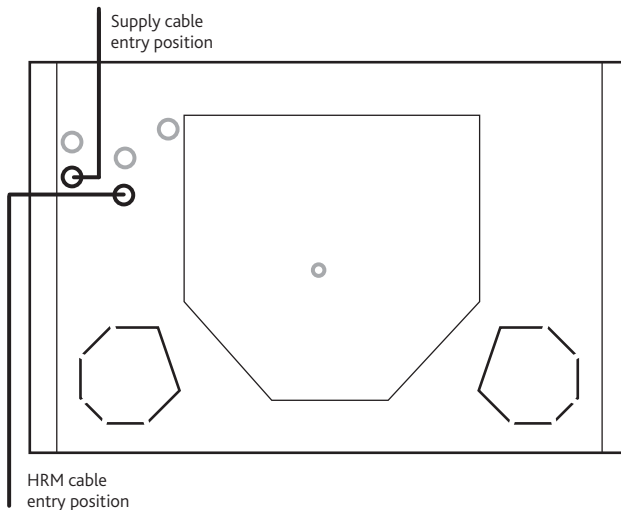
IMPORTANT

Warning: Ensure that the fan is isolated from the mains supply before removing cover.

2.0 INSTALLATION

2.1 Fitting the optional extra 'HRM' Hour Run Monitor into the FLATMASTER

Figure 1. The wiring loom for the 'HRM' must enter the rear cover of the FLATMASTER unit using the cable entry grommet shown below.



See overleaf for fitting the optional extra 'HRM' Hour Run Monitor into the FLAT2000 L/R.

Figure 2. FLATMASTER unit viewed from the front with cover removed. Remove the grey (male) connector from the FLATMASTER 'HRM' wiring loom and fit plug directly to the unit PCB, marked JP1. Also see fig 3.

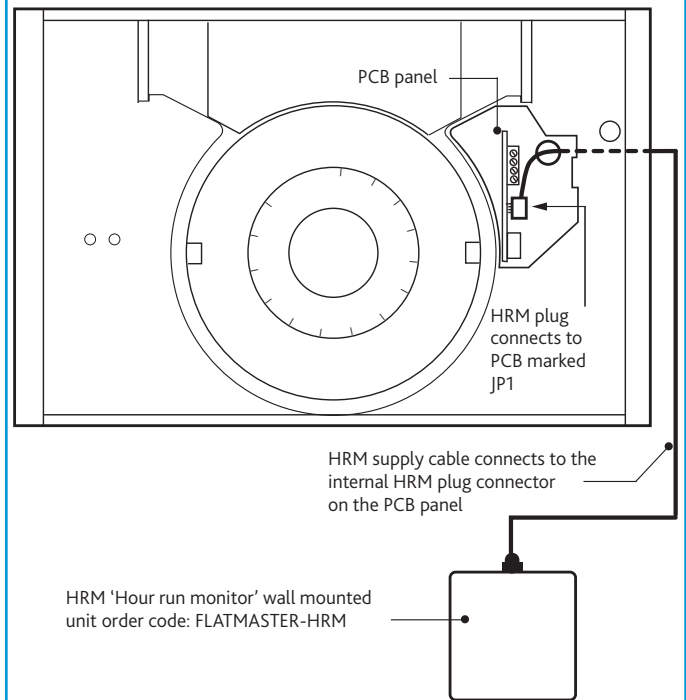
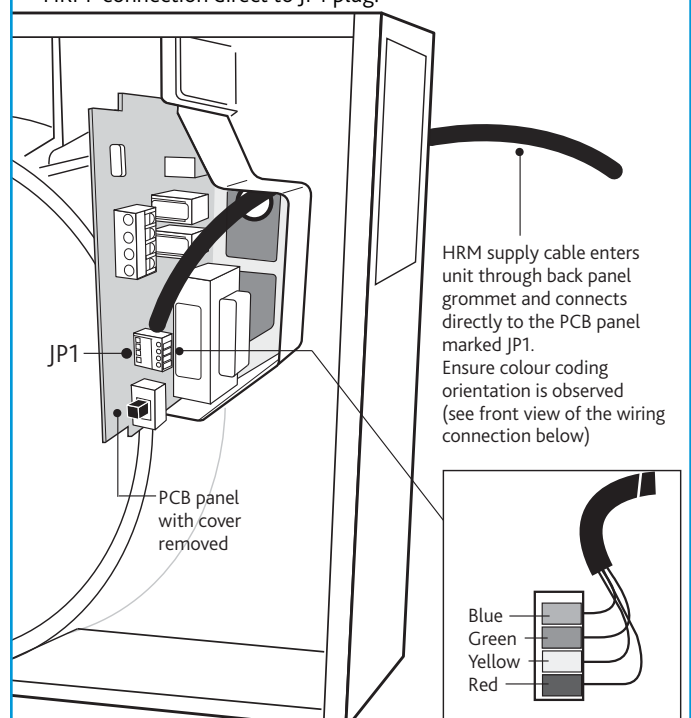


Figure 3. FLATMASTER unit viewed from the front without cover, showing an enlarged view of the PCB panel with cover removed and 'HRM' connection direct to JP1 plug.



2.2 Fitting the optional extra 'HRM' Hour Run Monitor into the FLAT2000L/R

Figure 4. The wiring loom for the 'HRM' must enter the rear cover of the FLATMASTER unit using the cable entry grommet shown below.

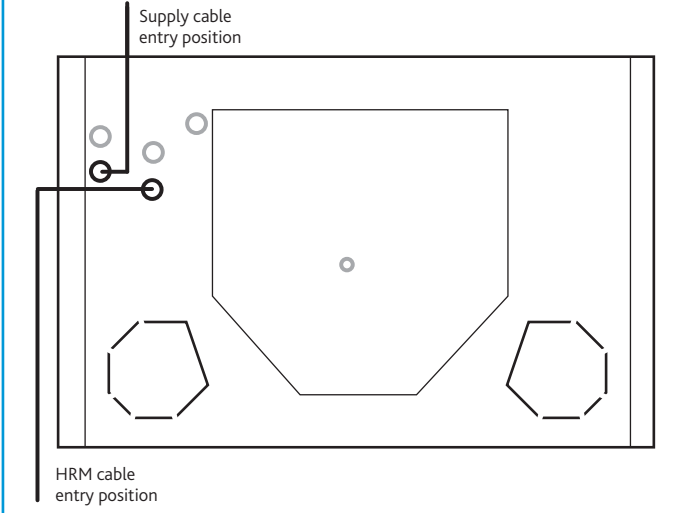


Figure 6. FLATMASTER unit viewed from the front without cover, showing an enlarged view of the PCB panel with cover removed and 'HRM' connection direct to JP1 plug.

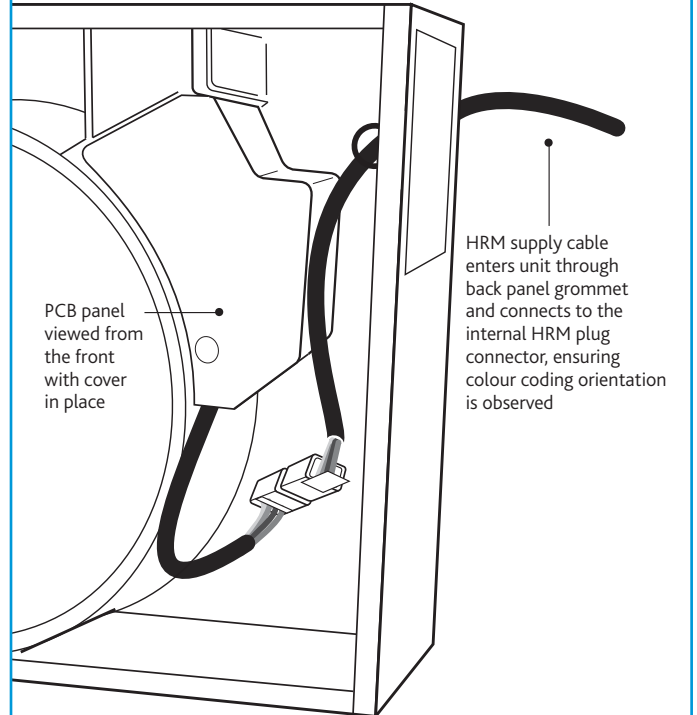


Figure 5. FLATMASTER unit viewed from the front with cover removed. Remove the grey (male) connector from the FLATMASTER 'HRM' wiring loom and fit plug directly to the unit PCB, marked JP1. Also see fig 3.

