

Weatherproof Enclosure SXB-WP

For XBOXER size 2 - 6 Horizontal
Dismantling and Assembly Instructions

Weatherproof Enclosure

- Weatherproof construction
- For retro fitting on site
- Available in 2 sizes

1.0 Delivery of Equipment

All equipment is inspected prior to despatch and leaves the factory in good condition. Upon receipt of the equipment an inspection should be made and any damage indicated on the delivery note. Particulars of damage and/or incomplete delivery should be endorsed by the driver delivering the goods before offloading by the purchaser.

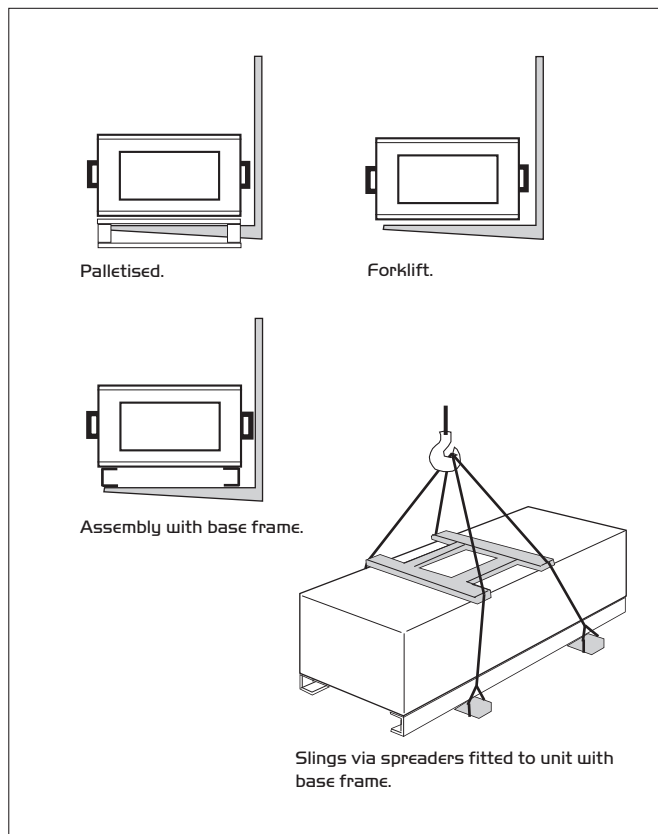
No responsibility will be accepted for damage sustained during the offloading from the vehicle or on the site thereafter.

2.0 Handling

Handle the units carefully to avoid damage and distortion. The weight of the unit is displayed on the label attached to the unit.

Use spreaders when lifting with slings to avoid damage to the casing. Care must be taken to ensure that slings are correctly positioned to avoid crushing and twisting of the unit.

Figure 1. Methods of lifting.



3.0 Dismantling the Enclosure

Before the chosen XBOXER horizontal fan unit can be installed into the weatherproof enclosure on site, the enclosure must first be positioned in its final installation position, upright and level on a prepared base (which may include a suitably designed suspended platform). The enclosure must then be dismantled according to the following instructions and the fan unit installed in accordance with good industry practice.

IMPORTANT

Do not assemble the enclosure and then move into place as this will cause the enclosure to distort.

Figure 2. Remove the I4 Screws from the unit roof top which is riveted into one piece.

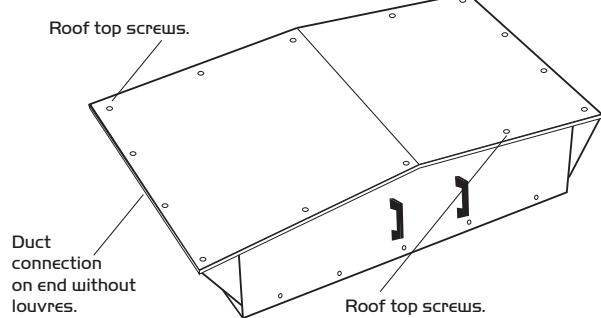


Figure 3. It will then be necessary to remove the roof from the unit and will require two people to undertake this exercise.

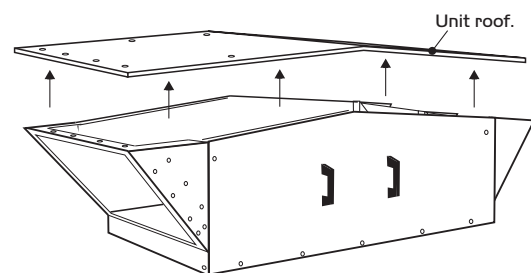
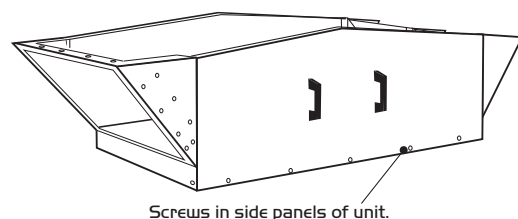
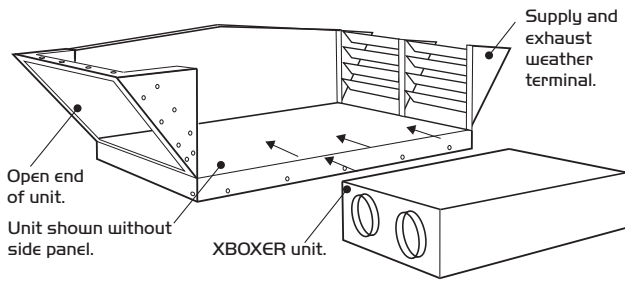


Figure 4. Having decided if one or both sides are to be removed from the unit, remove the screws in the side(s) of the unit with a flat screwdriver. The side(s) will then simply slide out.



continued overleaf.

Figure 5. The XBOXER unit can now be slid onto the base of the weather proof enclosure and installed. The sides and the roof of the weatherproof enclosure can now be replaced using the screws previously removed.



IMPORTANT

Any air intake terminal **MUST** be installed in accordance with the appropriate regulation. As a guide, the BS5440 series of British Standards deals with this issue and currently states that an air intake must be at a minimum distance of 300mm from a gas boiler balanced flue. Installers are advised to be aware of the requirements of this standard when installing 'through the wall' supply air ducting. Similarly, supply and extract air grilles should be at least 300mm apart.

4.0 Dimensions (mm)

View from end

View from side

View from top

Unit Code	Size	A	B	C	D	E	Weight Kg
SXB-WP	2-5	2400	1400	530	100	1800	65
SXB6-WP	6	2400	1400	880	100	1800	79

Service Enquiries

Nuaire can assist you in all aspects of service. Our Technical Support department will be happy to provide any assistance required.

**Technical Support
029 2085 8400**

Technical or commercial considerations may, from time to time, make it necessary to alter the design, performance and dimensions of equipment and the right is reserved to make such changes without prior notice.