

# NUAIRE

## Genie / tops 230 Volt

### Toilet & Bathroom Extract Fan surface & recessed mounting\*

## Installation and Maintenance NUAIRE

Nuair Limited  
Western Industrial Estate Caerphilly,  
Mid Glamorgan, CF83 1XH United Kingdom.  
Tel: 029 2088 5911 Fax: 029 2088 7033  
Email: info@nuaire.co.uk  
www.nuaire.co.uk

Leaflet No. 670805  
JULY 2000

\* A optional window mounting kit is available for this unit, code ref: **WINKIT**. When installing the unit in a window, use the instructions supplied with the kit.

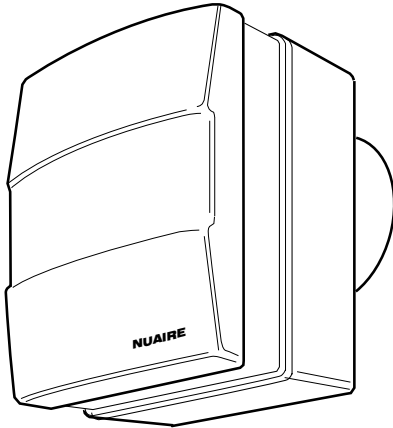


Fig. 1. General View

### Introduction

The Genie / TOPS range of toilet and bathroom units has been specifically designed to ventilate small rooms such as toilets, bathrooms, cloakrooms etc.

Measuring a compact 200mm x 173mm x 120mm the units deliver 25 l/s via a 100mm dia. outlet fitted to the rear face.

Air entering the unit passes through a washable filter fitted to the front cover.

Anti- backdraught shutters, retained in the closed position when fan is not running, are fitted to the base plate.

Motor has sealed, self lubricating bearings and "heat-seeker" thermal overload protection.

The fan/ motor assembly is retained by spring clips to simplify maintenance.

Interchangeable plug - in electronic control modules can incorporate :-

- Run - on timer
- Humidistat
- Continuous low duty with boost.

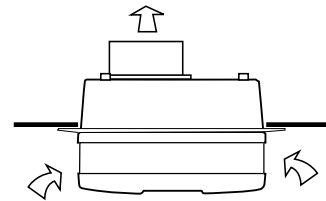
As a safety feature the fan/ motor assembly is automatically disconnected when the electronic control module is removed.

### WARNING

**WHEN INSTALLING GENIE UNITS FOR REMOTE SWITCHING IT IS IMPORTANT THAT THE PULL CORD (IF FITTED) IS REMOVED. IT IS RECOMMENDED THAT THE UNIT IS SWITCHED OFF (BY THE PULLCORD) BEFORE CUTTING. CUT THE PULLCORD INSIDE THE UNIT A LITTLE WAY BEYOND THE CONTROL MODULE.**

### Typical Installations

Semi - recessed mounted - ceiling



Surface mounted - wall

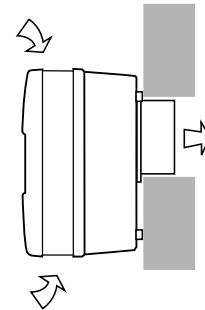


Fig.2 Typical Installations

### Installation

(To be carried out by qualified personnel only)

#### Surface Mounting

Note. It is assumed that a solid non reverberant mounting position has been selected and the necessary passages for ductwork from the outlet spigot, as well as the electrical connection prepared. It is also assumed that compatible ductwork has been installed.

**Isolate the electrical supply by switching off at mains and removing fuses.**

1. Remove cover/grille assembly by depressing the top & bottom retaining tabs. (fig. 3)
2. Remove the plug-in electronic control module. (fig.4)
3. Remove the fan/motor assembly by pulling aside the two spring clips.
4. Place the unit in the desired mounting position, connect the ductwork and feed the cable through the cable entry. Connect the wiring to the terminal block (it may be easier to temporarily remove the block to facilitate wiring)

## Installation (Cont.)

5. Secure the unit in position, using three wood screws (No. 6).

Note: It may be necessary to drill and plug the mounting surface. It is the responsibility of the installer to select the correct wall plug for the particular application.

6. Fit the fan assembly to the case, securing it with the two spring clips. Install the electronic control module ensuring that it is fully engaged in the internal socket. If the pull-cord option is required it should be fed through the aperture on the impeller housing before sliding the control module into place. Fig. 5. (If the pullcord option is not required it must be removed, see warning note on page 1).

7. Replace the front cover and secure using the two screws provided (loose with filter and instructions). NOTE: Ensure the pull cord (if fitted) passes through the slot in the base. (Fig. 5).

8. Fit the filter which is a push fit between the front cover and the body of the unit (fig. 3).

9. Test run the unit noting that if a timer/humidistat option is fitted, the unit may run-on for the duration of the control sequence.

### Semi - recessed mounting

**IMPORTANT NOTE** Remove the shutters from the spigot if you are mounting the genie in the ceiling.

1. Prepare an opening 184mm x 213mm. This will allow sufficient clearance (approx. 5 to 10mm) all around the unit to accept the fixing bracket (optional). Note. Do not exceed the quoted dimensions, as an aperture larger than 208mm x 238mm will not be covered by the finishing plate. Again it is assumed that a solid, non-reverberant mounting position has been selected and the necessary passages for ductwork from the outlet spigot as well as the electrical connection prepared. It is also assumed that compatible ductwork is already installed.

2. Position the mounting bracket (Fig. 7.) in the previously prepared aperture so that the ends of the bracket are flush with the surface of the wall. Secure the bracket with suitable fixings (by others) see Fig.8.

3. Remove the front cover /grille assembly (Refer to surface mounted version for details).

4. Position the finishing plate on the base of the unit (fig 8). Place unit base and finishing plate in the mounting bracket and feed the supply cable through the casing aperture. Engage the outlet spigot in the duct-work and fix the casing to the bracket using the screws supplied.

5. Connect the wiring to the internal terminal block / socket (it may be easier to remove the block temporarily to facilitate wiring).

6. Fit fan module to the base

7. Fit the electronic control module, ensuring that it engages with the internal socket. Note: If pullcord option is required, the cord should now be fed through the aperture and into the small slot in the base. see Fig.5. (If pullcord is not required it must be removed, see warning note on page 1).

8. Replace the front cover with the two screws provided (loose with filter and instructions) and refit the filter.

9. Test run the unit. Note! If a timer / humidistat option is fitted, the unit may run on for the duration of the timer control sequence when power is initially switched on.

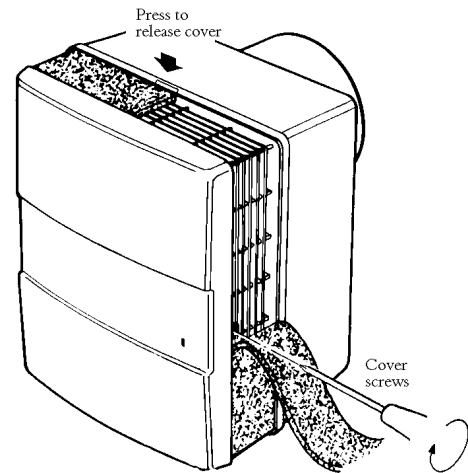


Fig. 3. Removing / Replacing the front cover and filter.

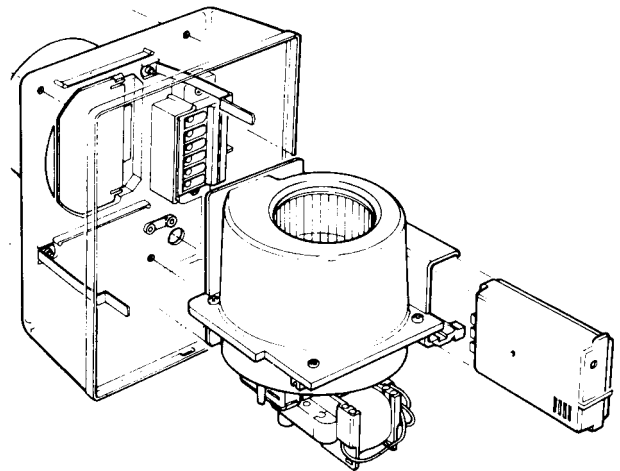


Fig. 4. Electronic control module and Fan/Motor assembly

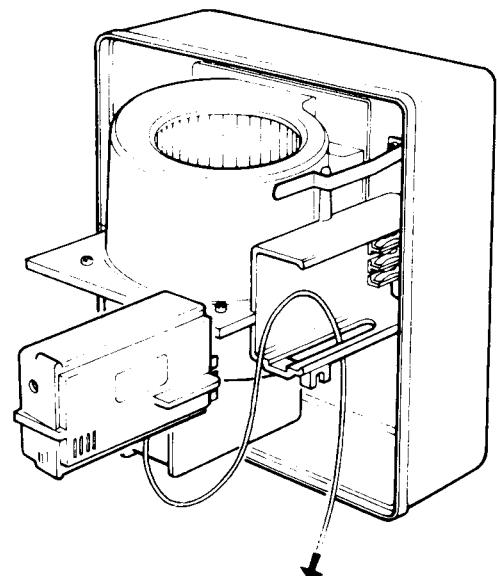


Fig. 5. Feeding the pull-cord through the housing.

## Maintenance

(General notes for the 'End User'/  
Maintenance Engineer).

### General

A washable filter is fitted to protect the fan / motor assembly from towel lint, talc etc. and to prolong the life of the unit. However, some fine dust may find its way through the filter and, if allowed, will build up on the motor and/or impeller. It is therefore strongly recommended that all units are inspected and cleaned at least every six months.

### Isolation

**WHEN CARRYING OUT ANY WORK ON THE UNIT IT IS ESSENTIAL TO ISOLATE IT FROM THE MAINS SUPPLY.**

### Procedure

At all times take care not to damage, distort or disturb the balance of the impeller. Remove the filter and front cover as previously described. Remove the electronic control module. Spring aside the two clips and remove the fan module. Visually inspect all parts, replace any damaged items. Using a soft brush or dry cloth remove any dust and dirt from the fan module. Stubborn dirt may be removed by careful use of a soft scraper. Wash front cover in warm soapy water and dry thoroughly. Re-fit fan and electronic control module, replace front cover and secure with screws. Wash filter on tepid water to which a little mild detergent has been added. Shake out excess water and allow to dry naturally. Replace filter. Refit the retaining screws (fig 3). Test run the unit.

### Run - on timer and humidity set point

#### Run - on timer

When installing a unit with run-on timer the adjuster should initially be turned fully anti-clockwise. (This equates to a run-on of approximately 5 minutes).

Isolate unit from supply and remove front cover. Locate the electronic control module situated to the right of the fan / motor assembly. Using small screwdriver, turn the adjuster to the fully anti-clockwise position. Adjustment to the timer can subsequently be made to suit individual preferences. Turn timer clockwise to increase run on time - maximum run on time is 30 minutes.

#### Humidistat

By adjusting the humidity set point it is possible to adjust the humidity level at which the fan operates (Note that the humidity set point is adjusted to maximum at factory prior to delivery). Isolate the unit from the supply and remove the front cover, locate the electronic control module situated to the right of the fan / motor assembly. Use a small screwdriver to turn the adjuster, clockwise to sense a higher humidity level or anti-clockwise to sense a lower level.

When initially running a Genie / TOPS unit with the humidistat option the humidity adjustment control should be adjusted to maximum (fully clockwise). Start the fan and after approx. 30 minutes the fan will switch off. Adjust the humidity set point downward (by turning the control anti-clockwise) until the desired level is achieved.

The fan will cut in when the humidity level in the room is reached.

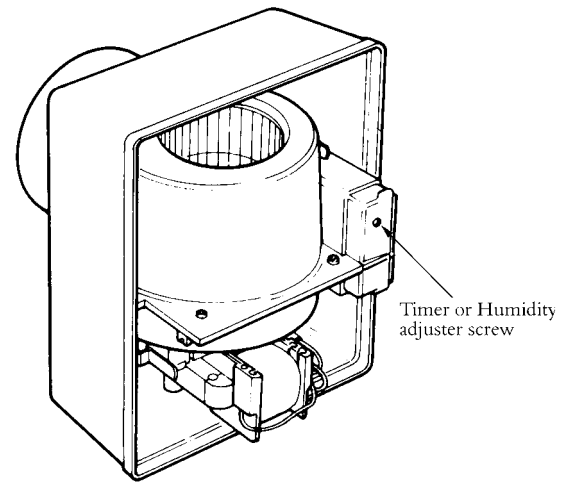


Fig. 6. Internal view. Note the adjusting screw for both timer (S) and humidistat (H) modules is located in the position shown.

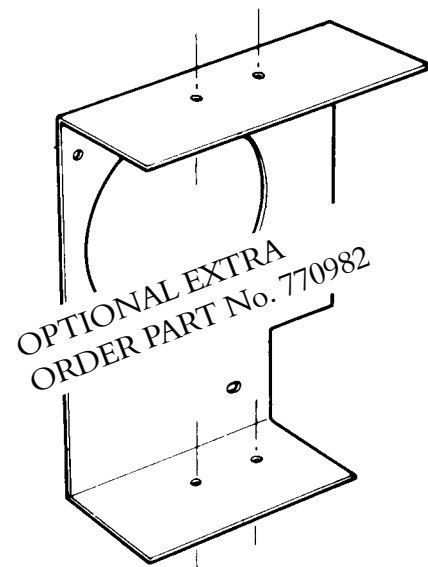


Fig. 7. Mounting bracket for semi-recessed application.

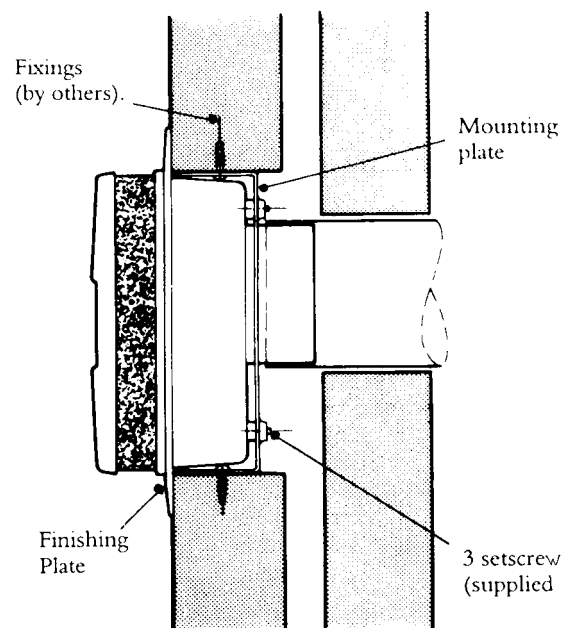
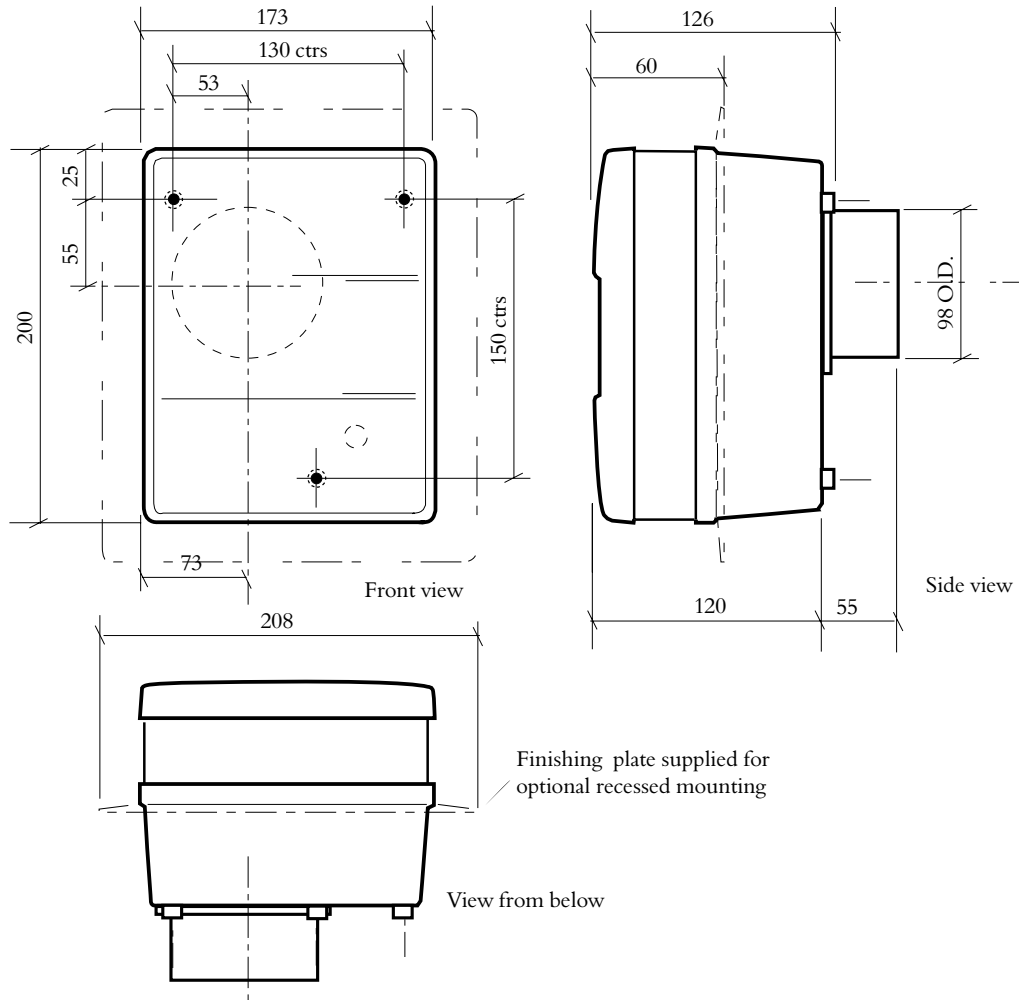


Fig. 8. Mounting details (semi-recessed).

## Dimensions



## Coding

- GENIE / TOPS** ON/OFF control, operated by pull cord or alternatively by remote switch\* (lightswitch or similar).
- GENIE/ TOPS - S** With integral run-on timer, operated by remote switch\* only.
- GENIE/ TOPS - H** With integral humidistat, operated by pull cord or remote switch\*
- GENIE/ TOPS - X** Continuous low duty with boost facility operated by pull cord or remote switch\*

**Note:** Genie / TOPS units are supplied with a finishing frame for use in semi-recessed applications.

**WINKIT** Optional window mounting kit.

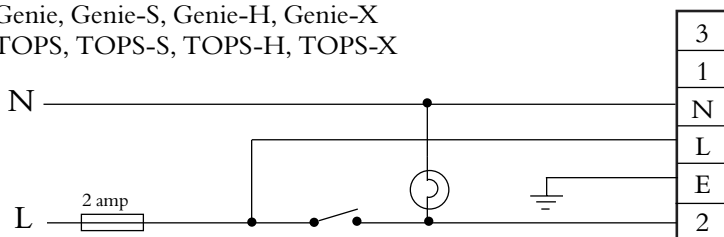
\*Remote switch by others.

<b>Power Consumption:</b>	Unit input power (watts)	23
	Full load current (amps)	0.170
	Starting Current (amps)	0.215

## Wiring Diagrams

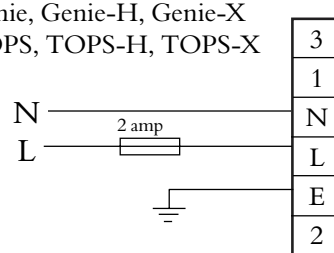
### Via. remote switch

Genie, Genie-S, Genie-H, Genie-X  
TOPS, TOPS-S, TOPS-H, TOPS-X



### Via. pullcord

Genie, Genie-H, Genie-X  
TOPS, TOPS-H, TOPS-X



# NUAIRE



## DECLARATION OF CONFORMITY

NuAire Limited,  
Western Industrial Estate, Caerphilly, Mid  
Glamorgan, CF83 1XH. United Kingdom.  
Telephone: 029 2088 5911  
Fax: 029 2088 7033  
Email: info @ nuair.co.uk  
www.nuair.co.uk

MARCH 2000

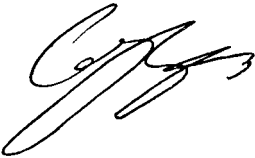

*We declare that the machine named below  
conforms to the requirements of EC Council Directives  
relating to Electromagnetic Compatibility and  
Safety of Electrical Equipment.*

---

<b>Designation of machinery :-</b>	GENIE / TOPS
<b>Machinery Types :-</b>	230V EXTRACT FAN
<b>Relevant EC Council Directives :-</b>	89/336/EEC, 92/31/EEC (EMC) 73/23/EEC, 93/68/EEC (Low Voltage Directive)
<b>Applied Harmonised Standards :-</b>	E50081-1, EN50082-1, EN60204-1 EN60335-2-80
<b>Basis of Self Attestation :-</b>	Quality Assurance to BS EN ISO 9001 BSI Registered Firm Certificate No. FM 149

---

**Signature of manufacture representatives :-**

	<b>Name:</b>	<b>Position:</b>	<b>Date:</b>
1)	 C. Biggs	Technical Director	3. 3. 00
2)	 W. Glover	Manufacturing Director	3. 3. 00

*Technical or commercial considerations may, from time to time, make it necessary to alter the design, performance and dimensions of equipment and the right is reserved to make such changes without prior notice.*

**NUAIRE**

**Western Industrial Estate, Caerphilly,  
Mid Glam CF8 1XH United Kingdom.  
Telephone: 029 2088 5911  
Facsimile: 029 2088 7033  
[www.nuaire.co.uk](http://www.nuaire.co.uk)**

Leaflet No. 670805

**NB**

If you have any comments or queries on any of our products or services please write to the Product Information Manager at the main address opposite

GP 88

