

**Fig. 3 Selecting the speed.**

**Setting the unit**

The unit has a choice of three speeds to suit the size of the dwelling and the moisture being generated. The unit is factory set at No.3. We recommend that the unit is operated at this set speed and reduced if and when necessary in the future.

**NOTE:**

The switch is located on the bottom of the inside vertical panel beneath the filter.

*Technical or commercial considerations may, from time to time, make it necessary to alter the design, performance and dimensions of equipment and the right is reserved to make such changes without prior notice.*

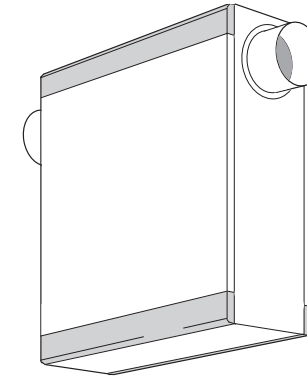
**HOME**  
VENTILATION LTD

**NuAire Home Ventilation,** Western Industrial Estate,  
Caerphilly, Mid Glamorgan. CF83 1XH. United Kingdom.  
**Tel:** 0990 002 555 **Fax:** 0990 002 666 **Email:** info@nuaire.co.uk

Leaflet No. 670750 March 1997

A MEMBER OF THE NUAIRE GROUP OF COMPANIES

**HOME**  
VENTILATION LTD  
**FLATMASTER 5+**



**ANTI-CONDENSATION &  
CENTRAL VENTILATION UNIT  
for homes without lofts  
INSTALLERS GUIDE**

**IMPORTANT NOTES TO INSTALLERS**

1. The NuAire Drimaster range has been curing severe condensation problems for over 20 years in some of the worst affected properties throughout the world. Its successful operation depends entirely upon the unit being installed strictly in accordance with these instructions. We would, therefore, respectfully suggest that you read through this guide in its entirety before commencing installation and then go through this guide step by step to a satisfactory completion.
2. Whilst the installation of the FlatMaster unit may be achieved by a suitable craftsman, the provision of the electrical supply and the connection of the unit to the mains must be carried out by a qualified electrician.
3. The unit has a unique 5 years parts and labour guarantee which is conditional on the following:-
  - a) That the unit is installed strictly in accordance with this guide.
  - b) That the unit filters are removed and cleaned by the user at the recommended intervals.
  - c) That the installer completes fully the reply paid Guarantee Registration Card enclosed and posts within 7 days of installation.

The unit represents a significant financial outlay on the part of the user/specifier and the unique 5 year guarantee is important to them. We make a point of advising them that the installer is provided with detailed instructions regarding installation/guarantee registration and therefore has the responsibility of ensuring that the unit is guaranteed for the user/specifier.

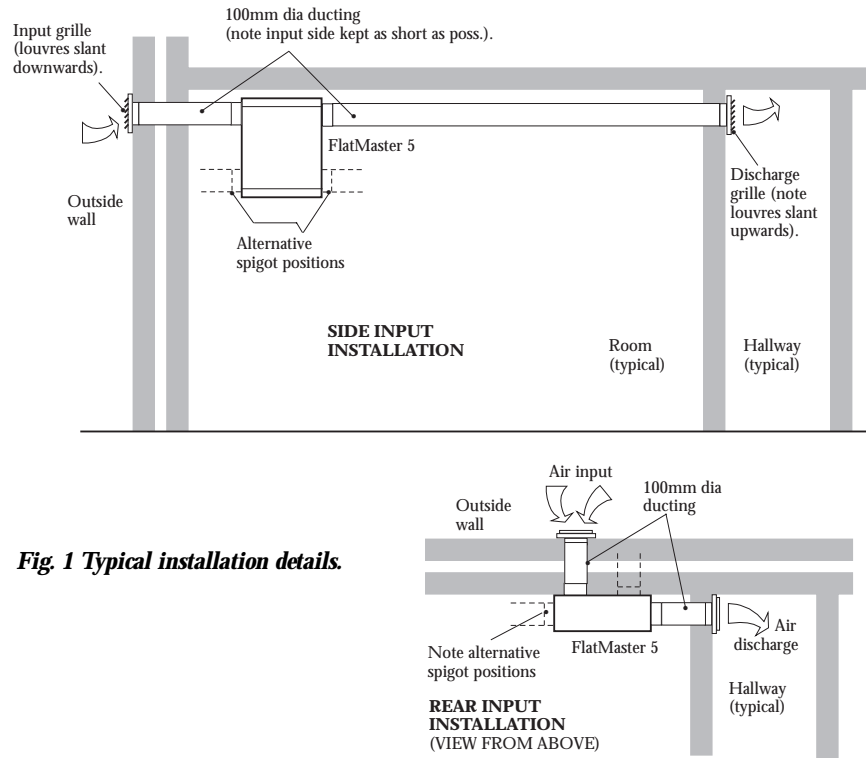
## INSTALLATION

The front and rear panels can be removed and transposed allowing installation from either side. The end panels can be removed and rotated through 180° to allow the spigot positions to be at the top or the bottom. (See fig 1).

The air input to the unit can be taken in through the end or rear of the case. When the air is inputted through the rear, a blank side panel (supplied) should be fitted to the case. The panels are easily removed to assist installation. Note that the unit can be mounted from either side, transposing the 'front' or 'rear' facing panel as necessary.

The dwellings internal air discharge grille is usually installed in a central location such as the hallway or lobby. However, the performance of the unit may be enhanced if an existing heat source can be mixed with the discharged air e.g. above room radiators

Before commencing installation decide where the unit is to be mounted and where the the fresh input air is to come from.



**Fig. 1 Typical installation details.**

### Points to consider

1. The inlet ducting should be kept as short as possible to avoid condensation build up on the ducting surface (see fig 2).
2. Can the discharge grille be located to take advantage of existing heat sources?
3. Find the shortest, most direct route from outside to the unit and then to the discharge grille using the least number of bends. (These bends increase the airflow resistance).
4. Note the location of any joists, pipes, electrical cables etc.
5. Have you allowed adequate access to the front cover to facilitate filter cleaning?
6. Refer to the relevant building and electrical regulations. e.g. Boiler flue regulations

Having decided on a fixing position for the unit, the air input point has to be made.

### Rear entry procedure

The rear panel of the unit has two possible air input knockout holes. The one chosen will depend on the position of the air outlet spigot. Viewed from the front, if the air outlet spigot is to be on the left, the right hand air input hole should be used and vice versa.

To remove a knockout use pliers to snap the tags back and use a sharp knife to cut through the foam.

### Side entry procedure

For side entry, remove the appropriate end panel and take out the knockout as described above.

### Fixing the unit to the wall.

1. Using the rear panel as a template, mark through the screw positions and fit the rear panel to the wall using appropriate wallplugs and screws.
2. Feed the electrical supply cable through the grommet hole, (standard 1mm three core lighting cable is recommended).
3. Remove the backing from the adhesive tape fitted around the outside edges of the 'rear' panel.
4. On the main unit case, remove the 'front' panel and the filter and offer the unit up to the wall. Ensure the four retaining pins locate properly and the unit is adhering to the tape strips. Tap the edge clips into place (see fig. 2).
5. Select the required running speed, 1 being lowest, 3 is highest. (See fig. 3).

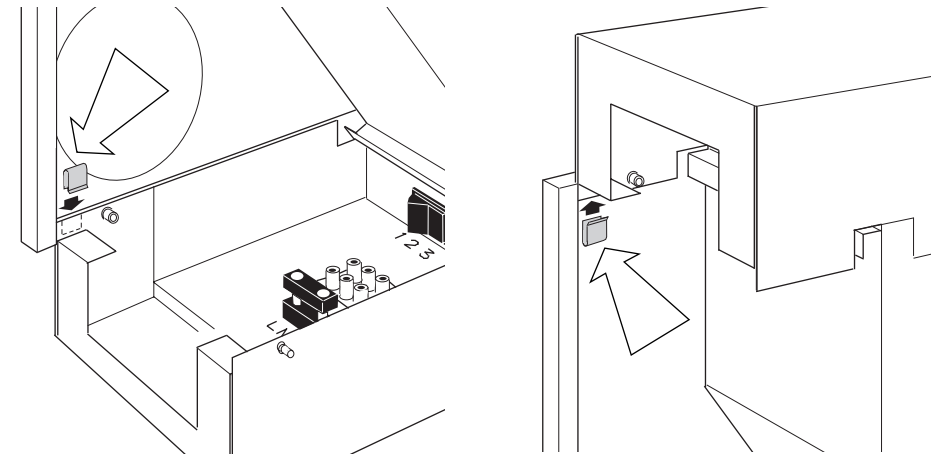
### 6. ELECTRICAL CONNECTION

Please note the electrical connection of the unit should be carried out by a qualified electrician

Electrical details;

Voltage: 240v 1 phase 50Hz Consumption: 15 Watts (min) 25 Watts (max)

Remove the terminal block cover and connect the electrical supply. Allow some slack in the cable to avoid putting stress on the terminal connections.



**Fig. 2 Fitting the edge clips.**

### Inlet / Outlet Grille installation

The internal air discharge grille flyscreen should be removed from the grille and discarded.

NOTE:

When installing the internal grille, the louvres MUST SLANT UPWARDS to ensure the correct air circulation and the avoidance of unpleasant downdraughts. (See diagram Fig.1).

The outside wall input grille louvres MUST SLANT DOWNWARDS. (See diagram Fig. 1).

Standard 100mm dia ducting is used to connect the FlatMaster 5 to the input and discharge grilles.